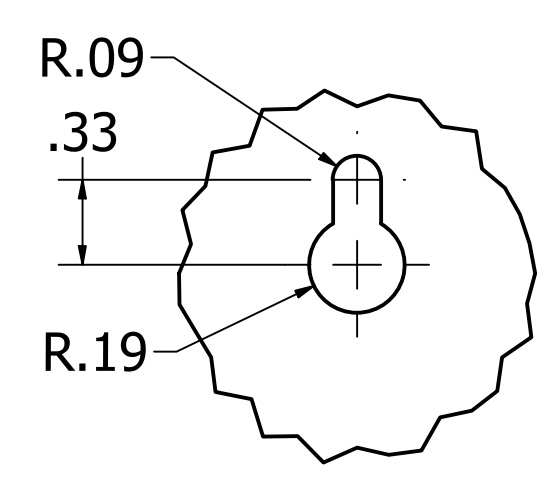
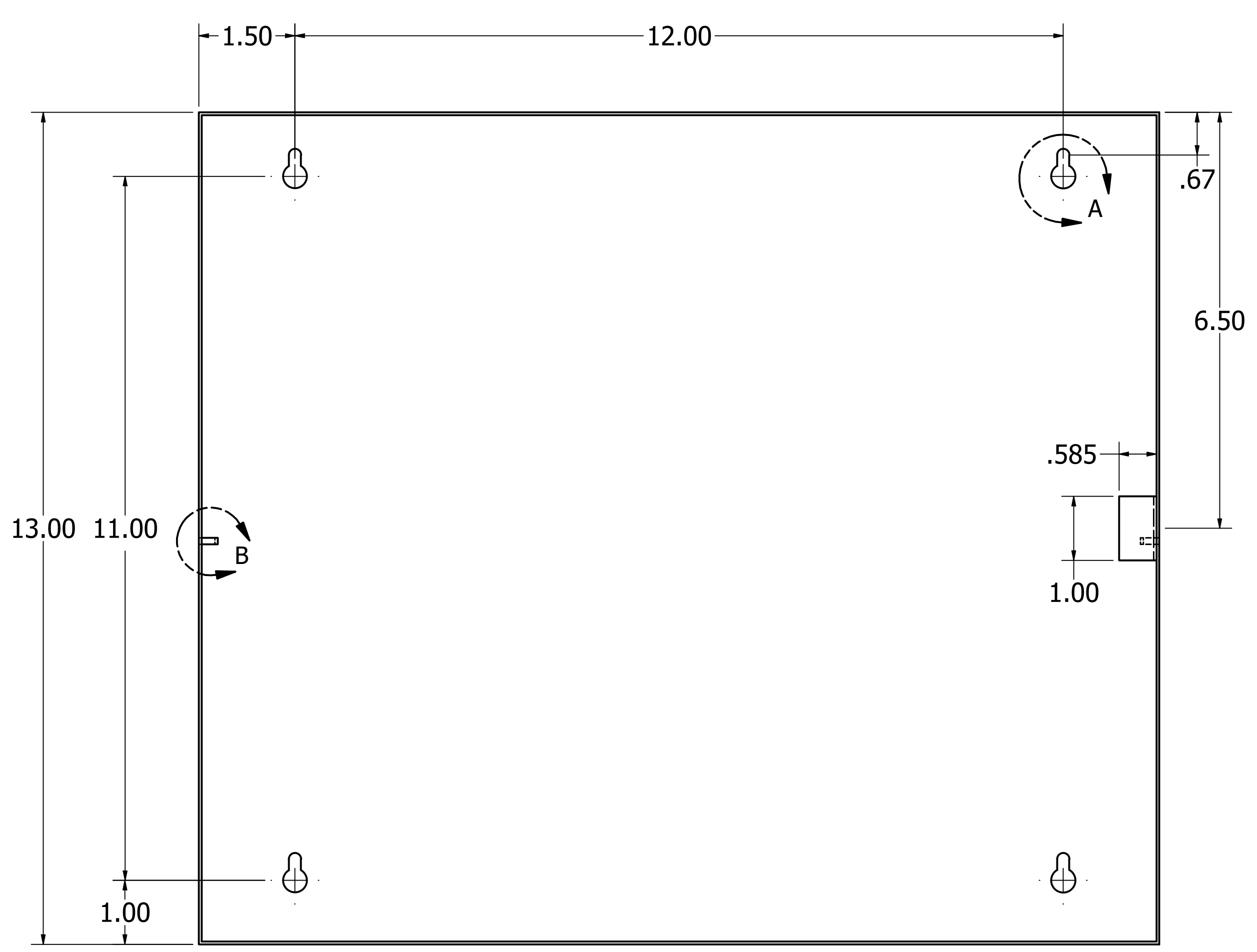
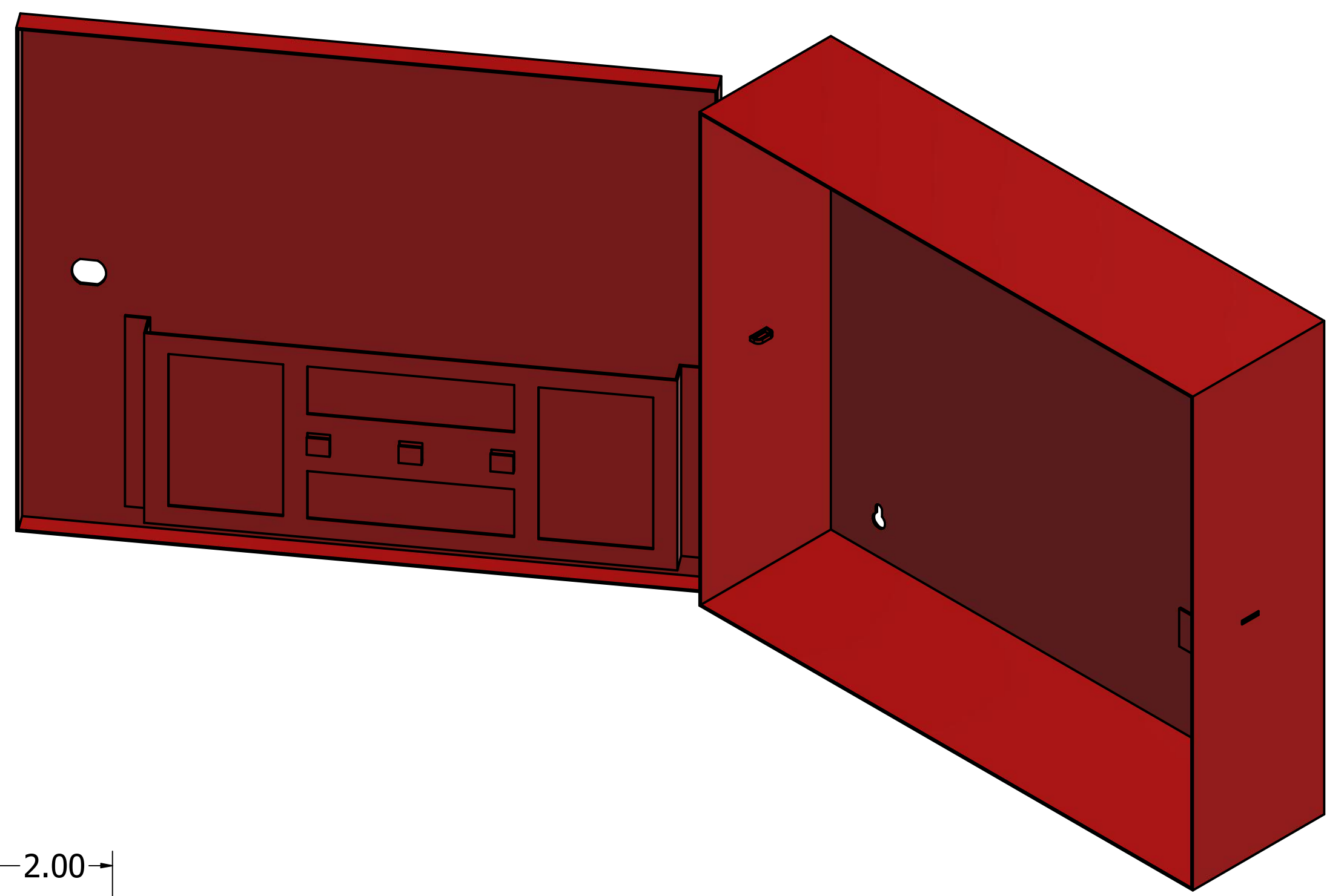
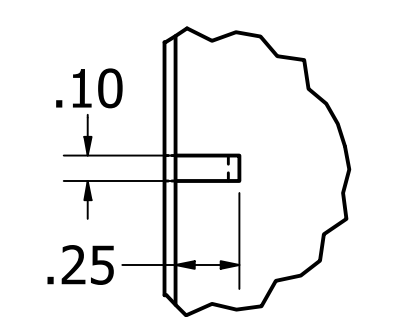


ALL UNITS IN INCHES UNLESS OTHERWISE STATED.

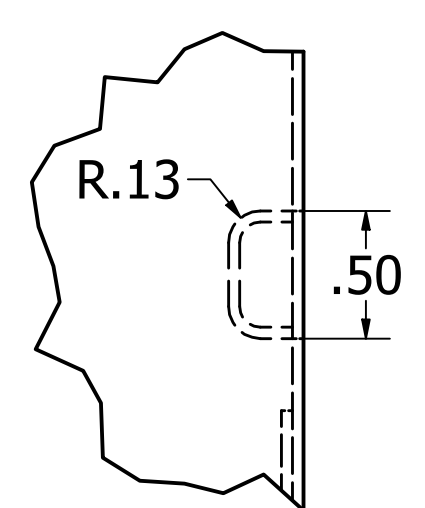
HOUSING MADE USING 19 GAUGE STEEL.



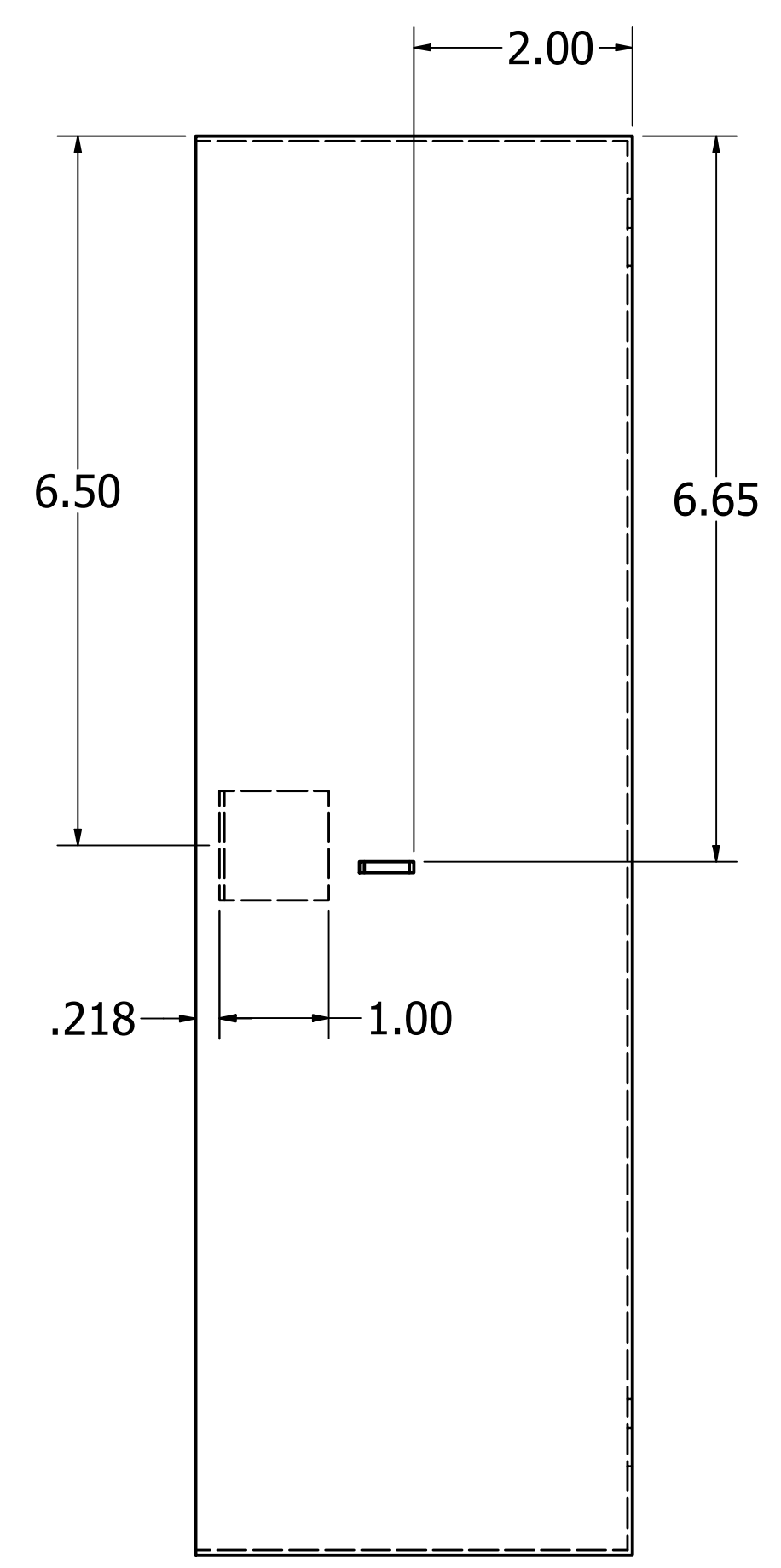
DETAIL A
SCALE 1.33 : 1



BUNGIE CONNECTOR SIDE VIEW
DETAIL B
SCALE 1.33 : 1



BUNGIE CONNECTOR TOP VIEW
DETAIL C
SCALE 1.33 : 1



800-473-0213 | info@mierproducts.com | www.mierproducts.com



DRAWN Andrew Thompson	6/6/2019	Mier Products, Inc.	
CHECKED Brock Borden	3/5/2020	TITLE	
QA		bw-docbox (MPO 2707)	
MFG		SIZE D	DWG NO bw-docbox
APPROVED		SCALE 2 : 3	REV
		SHEET 1 OF 1	