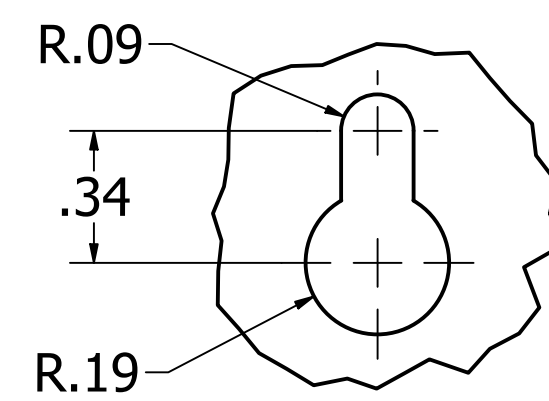
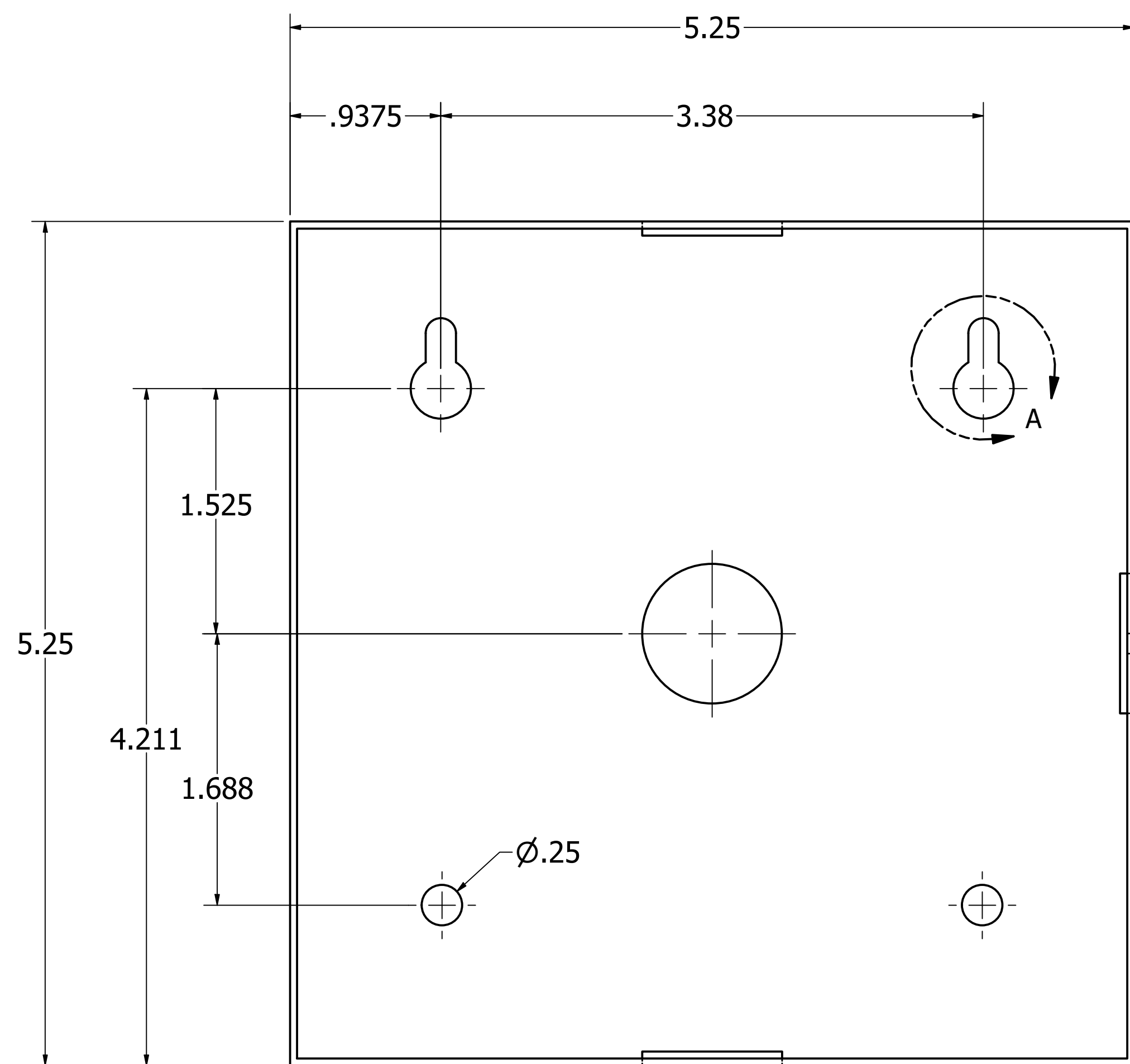
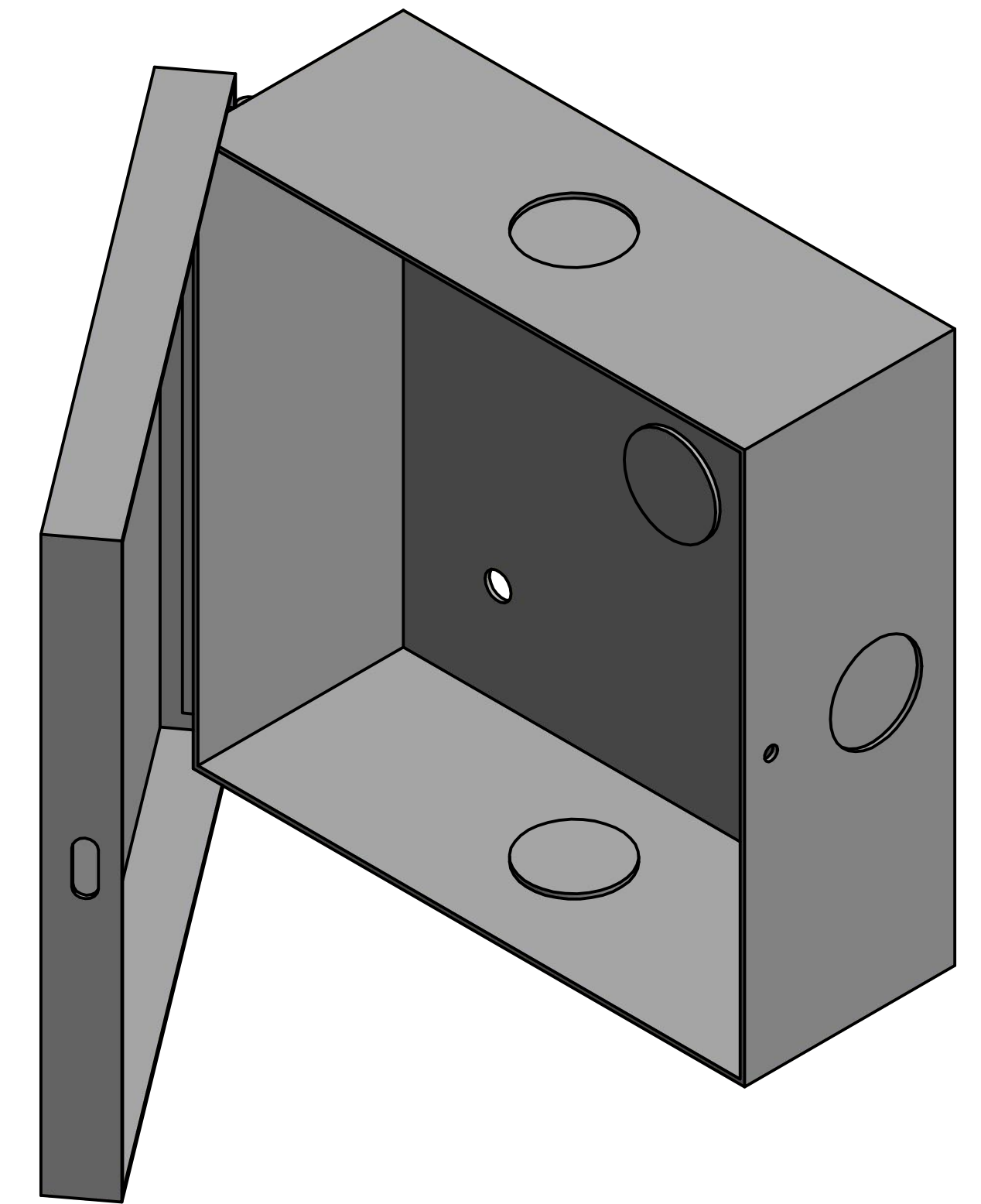


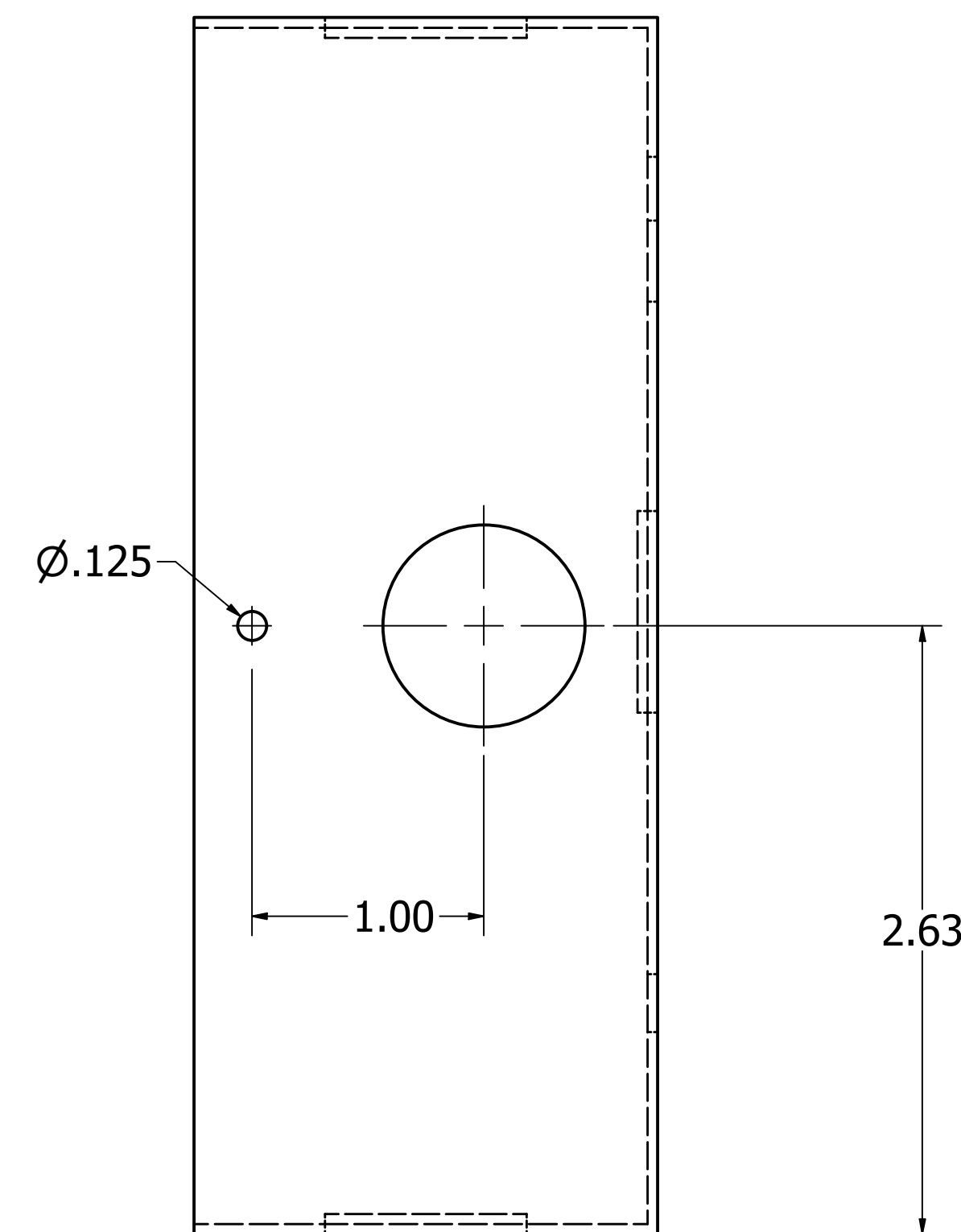
ALL UNITS IN INCHES UNLESS OTHERWISE STATED.

ALL KNOCK-OUTS HAVE $\varnothing.875$ INCHES.

HOUSING MADE USING 19 GAUGE STEEL.



DETAIL A
SCALE 2



NOTE: NO KNOCK-OUT ON LEFT SIDE



800-473-0213 | info@mierproducts.com | www.mierproducts.com



DRAWN Brock Borden	3/4/2020	Mier Products, Inc.	
CHECKED		TITLE	
QA		BW-97	
MFG		SIZE D	DWG NO bw-97
APPROVED		SCALE 15:10	REV
		SHEET 1 OF 1	