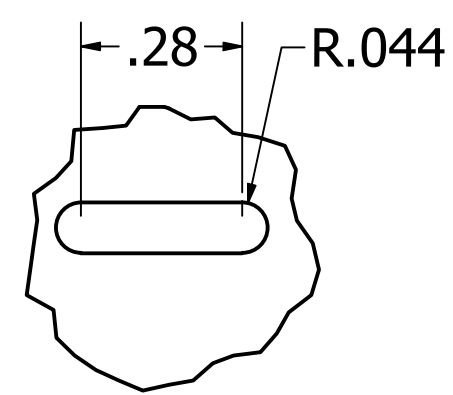
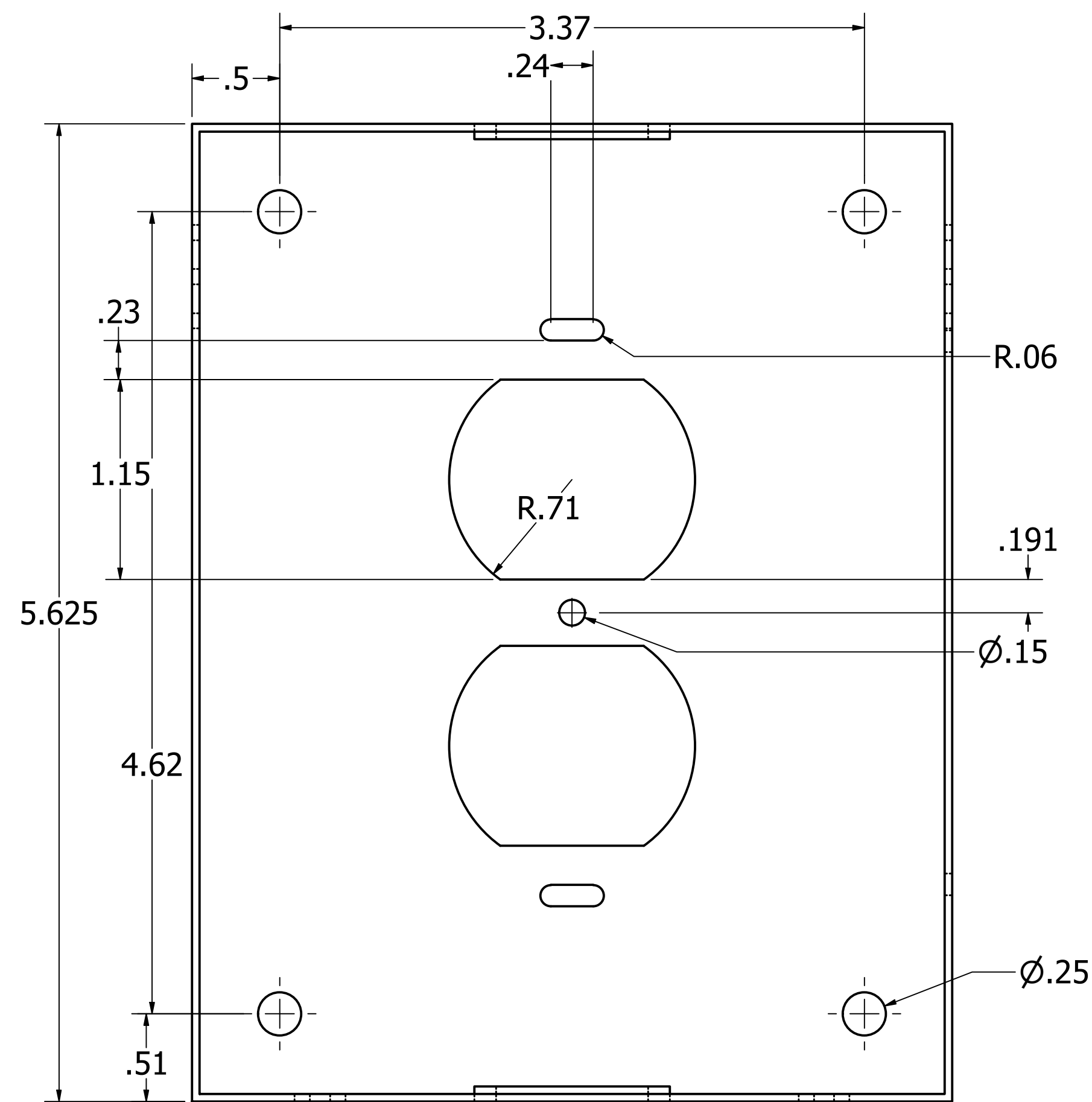
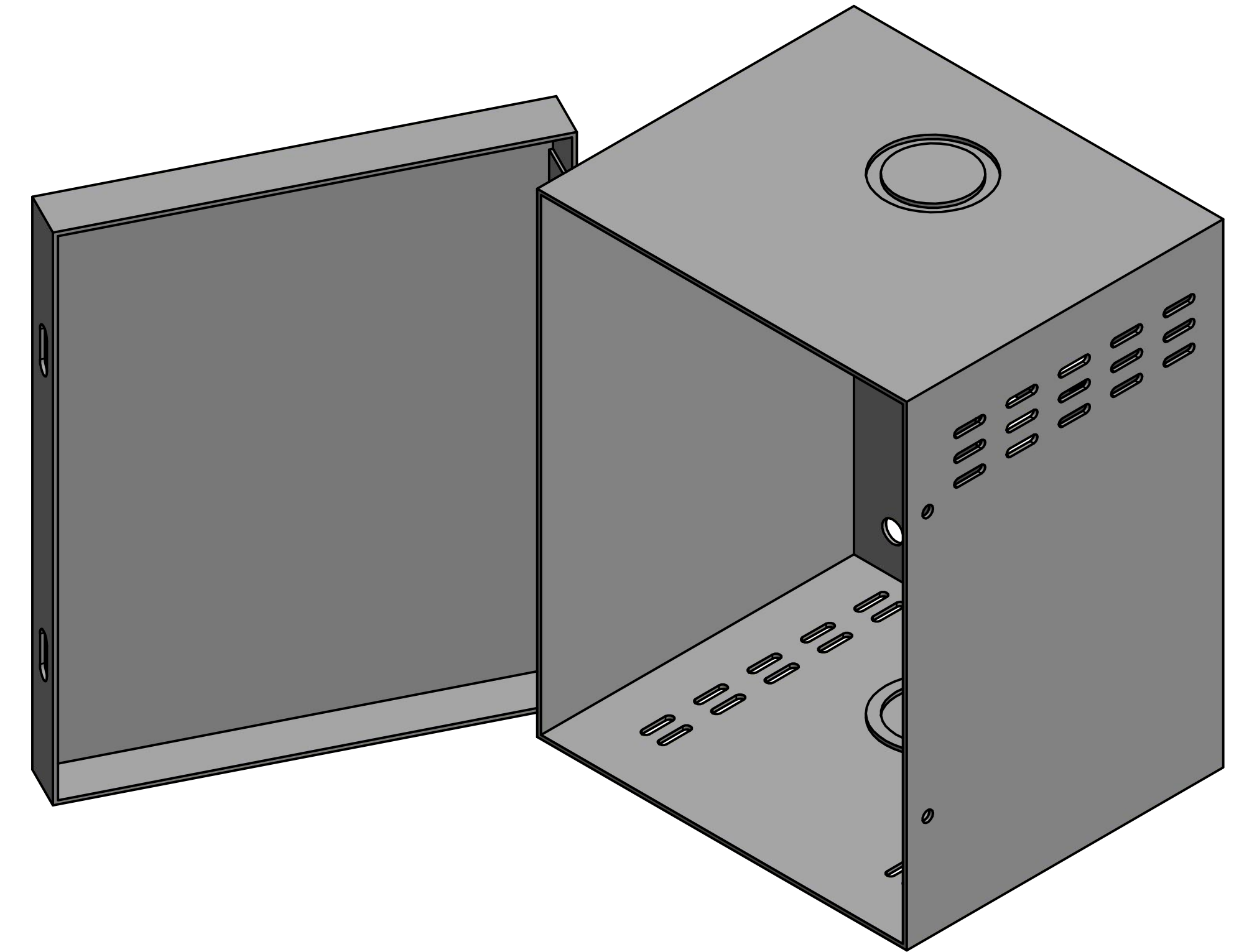


ALL UNITS IN INCHES UNLESS OTHERWISE STATED.

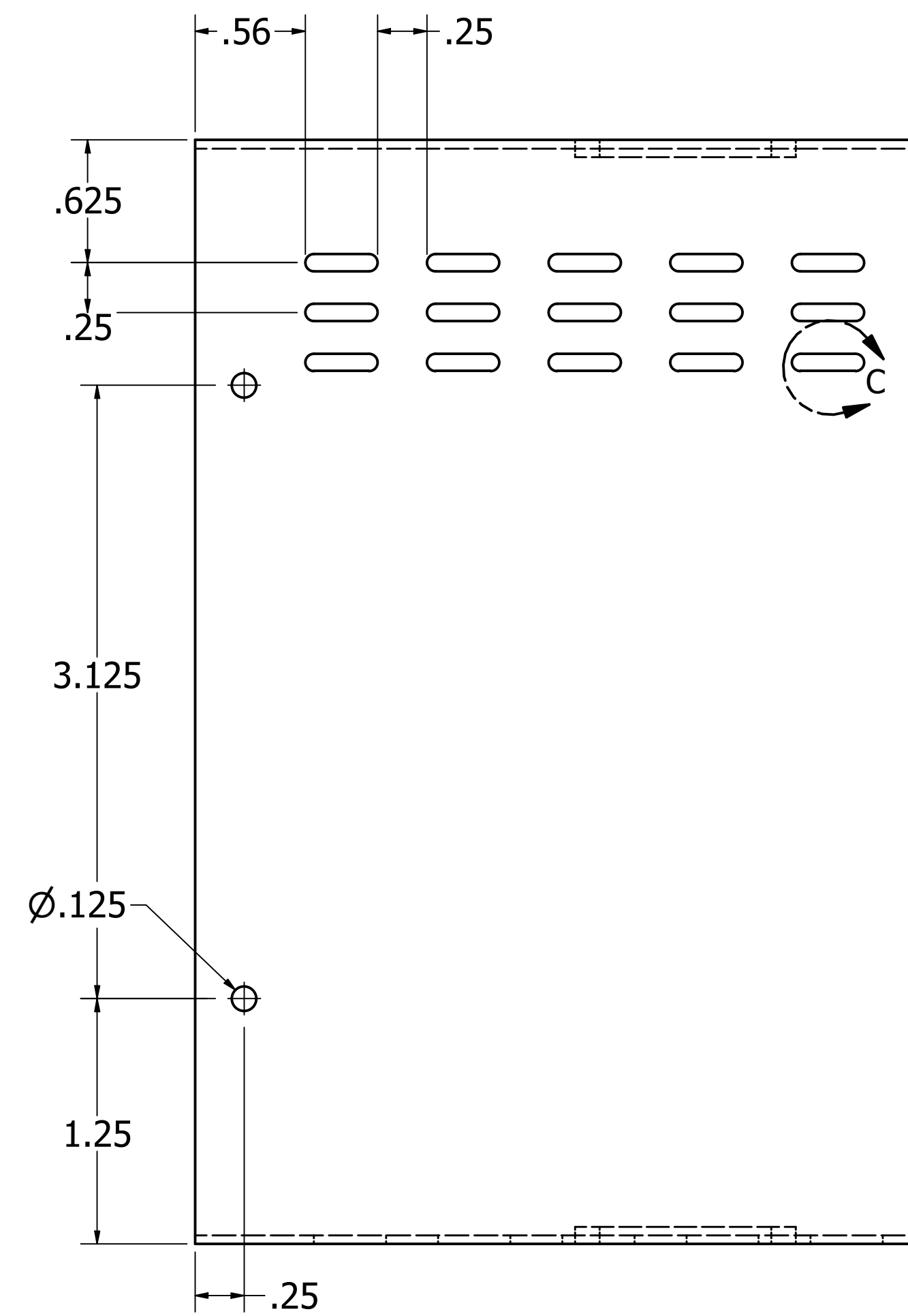
HOSUING MADE USING 19 GAUGE STEEL.

MAJOR KNOCK-OUT \varnothing 1.125 INCHES

MINOR KNOCK-OUT \varnothing .875 INCHES



DETAIL C
SCALE 3 : 1



800-473-0213 | info@mierproducts.com | www.mierproducts.com



DRAWN Brock Borden	9/4/2019	Mier Products, Inc.	
CHECKED		TITLE	
QA		dw-375	
MFG		SIZE D	DWG NO bw-375
APPROVED		SCALE 3 : 2	REV
		SHEET 1 OF 1	