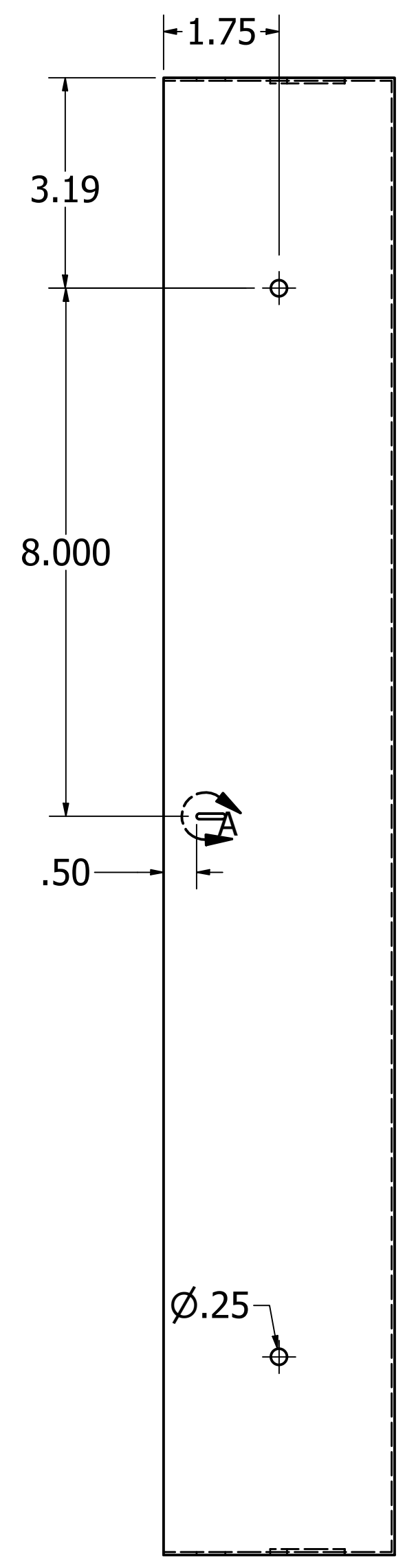
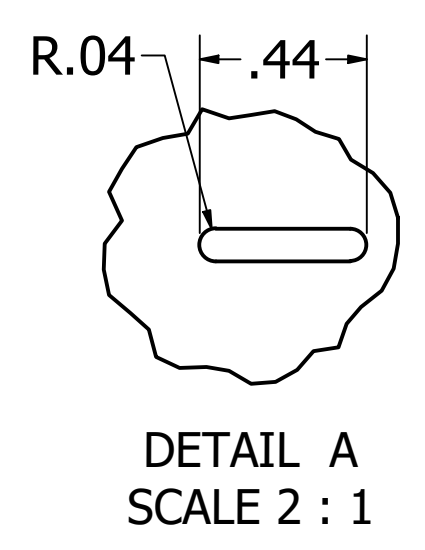
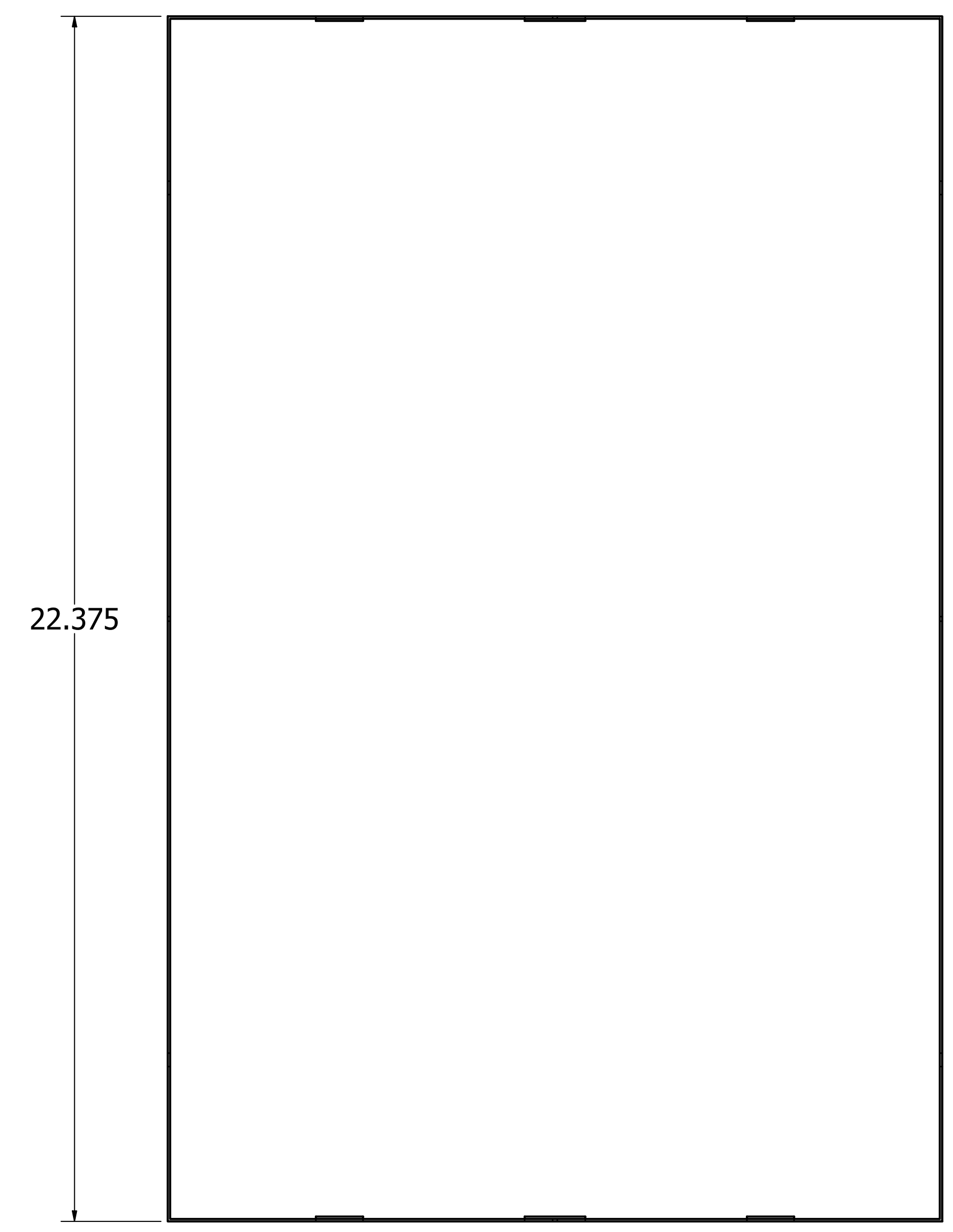
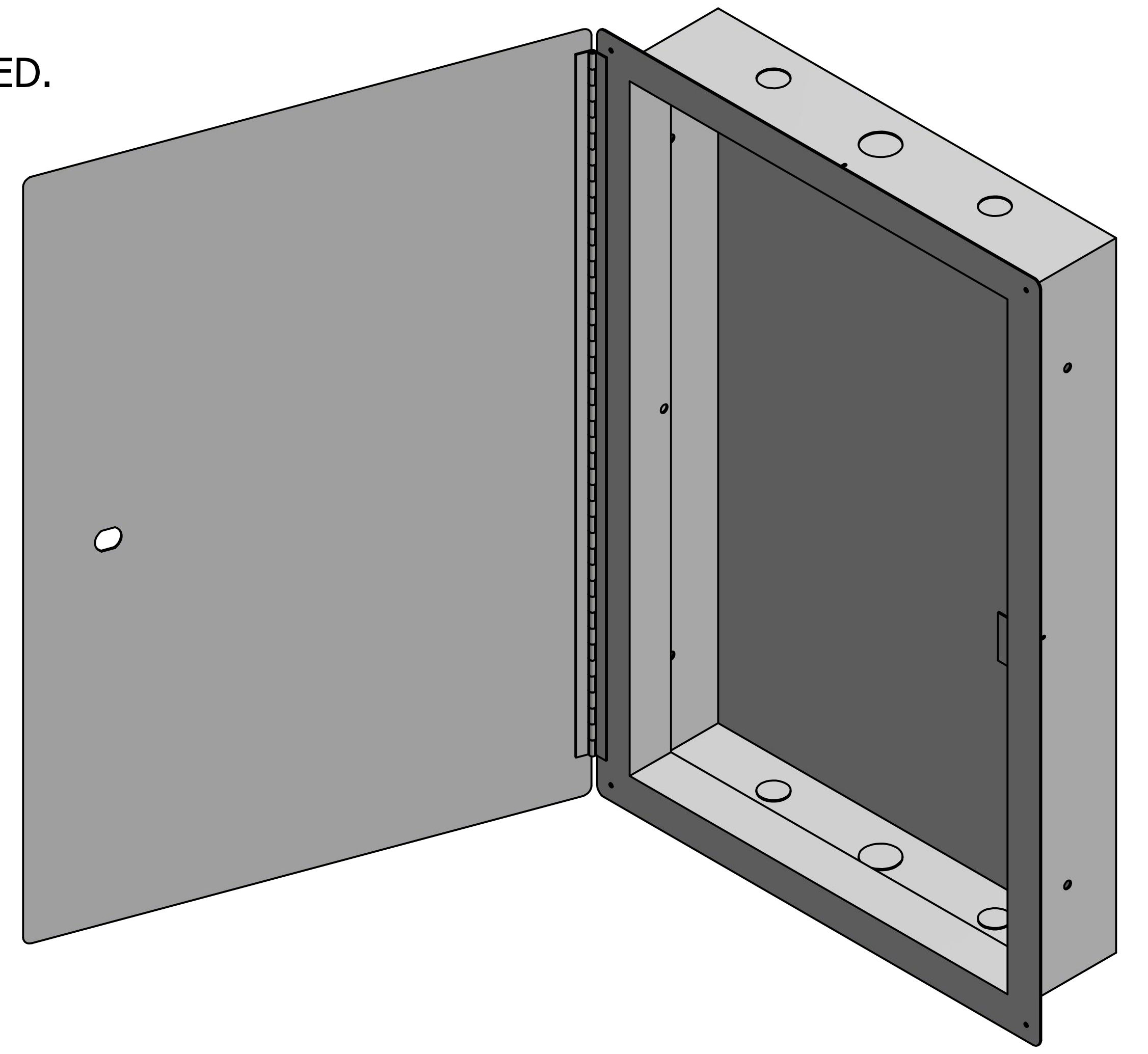


ALL UNITS IN INCHES UNLESS OTHERWISE STATED.

MAJOR KNOCK-OUTS HAVE Ø1.25 INCHES.

MINOR KNOCK-OUTS HAVE Ø.875 INCHES.

HOUSING MADE USING 19 GAUGE STEEL.



DRAWN Andrew Thompson	6/25/2019	Mier Products, Inc.	
CHECKED Brock Borden	3/5/2020	TITLE	
QA		bw-315 (MPO 2828)	
MFG		SIZE D	DWG NO bw-315
APPROVED		SCALE 1 / 2	REV
		SHEET 1 OF 1	