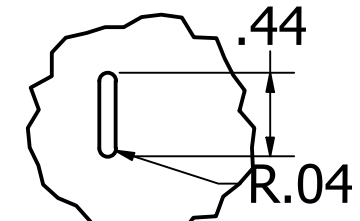
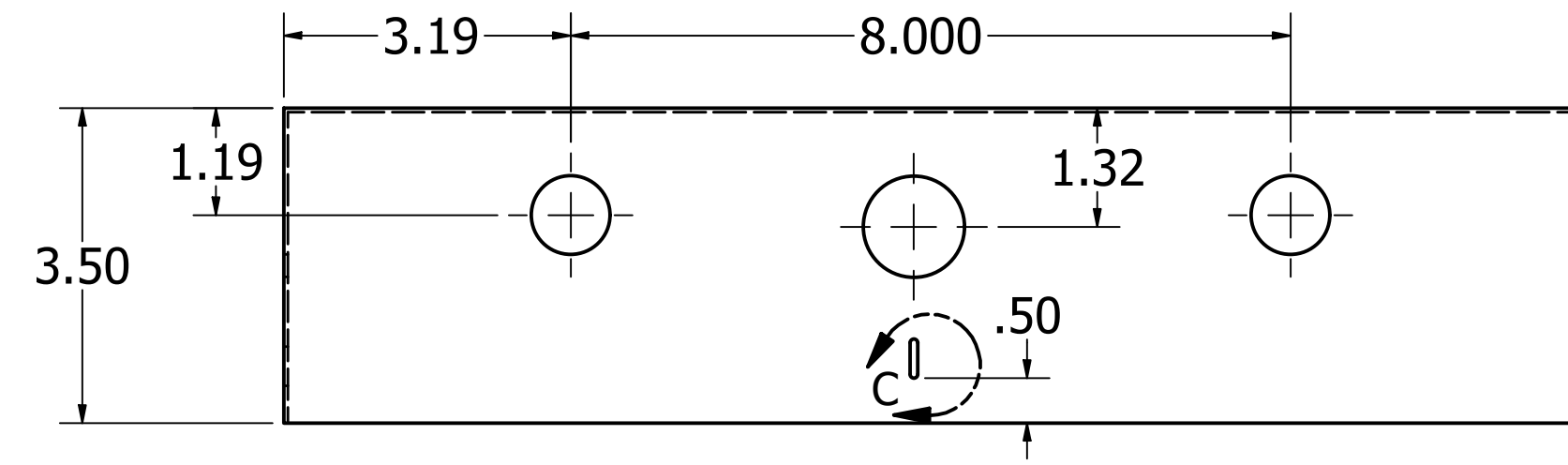
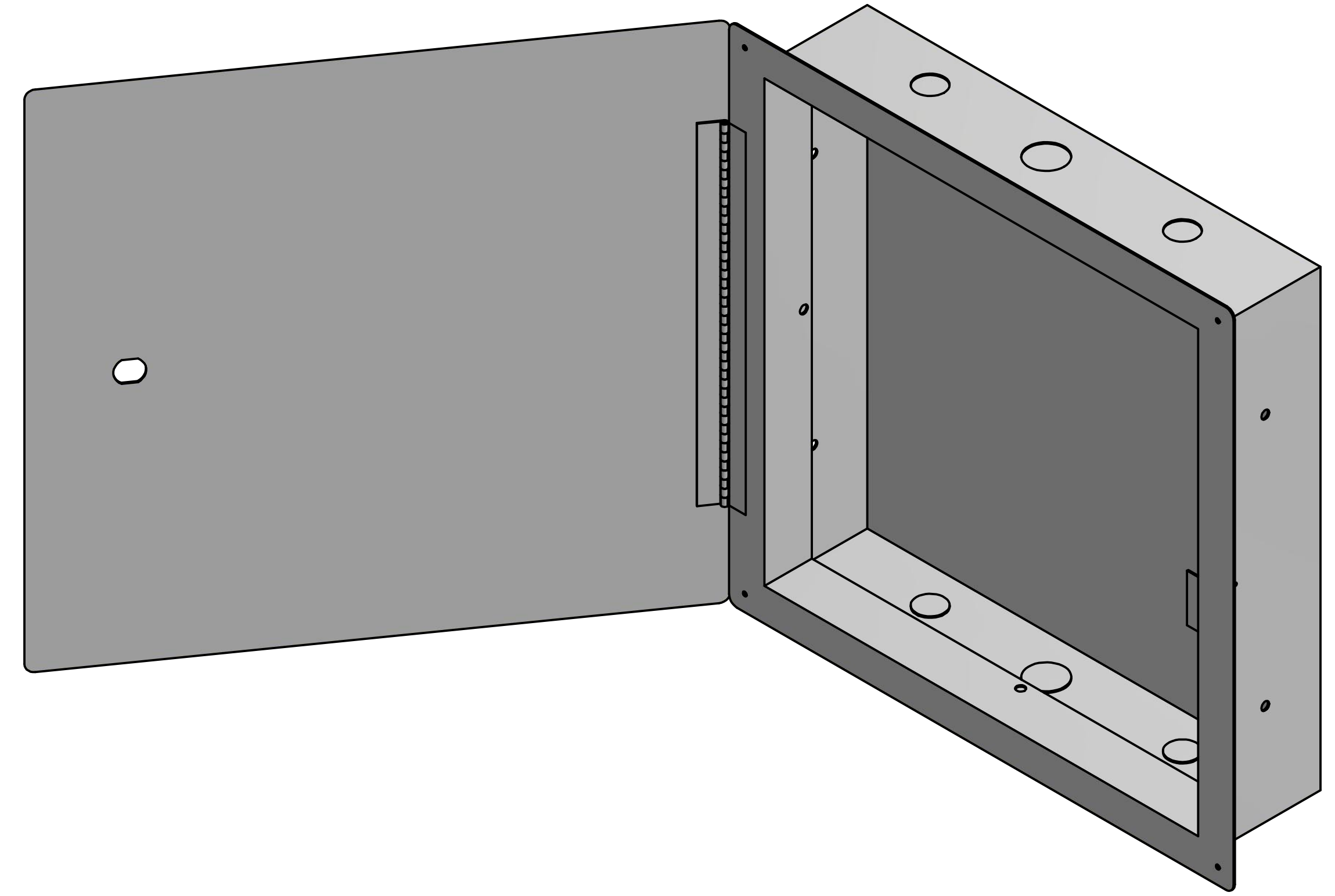


ALL UNITS IN INCHES UNLESS OTHERWISE STATED.

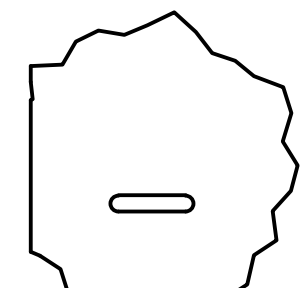
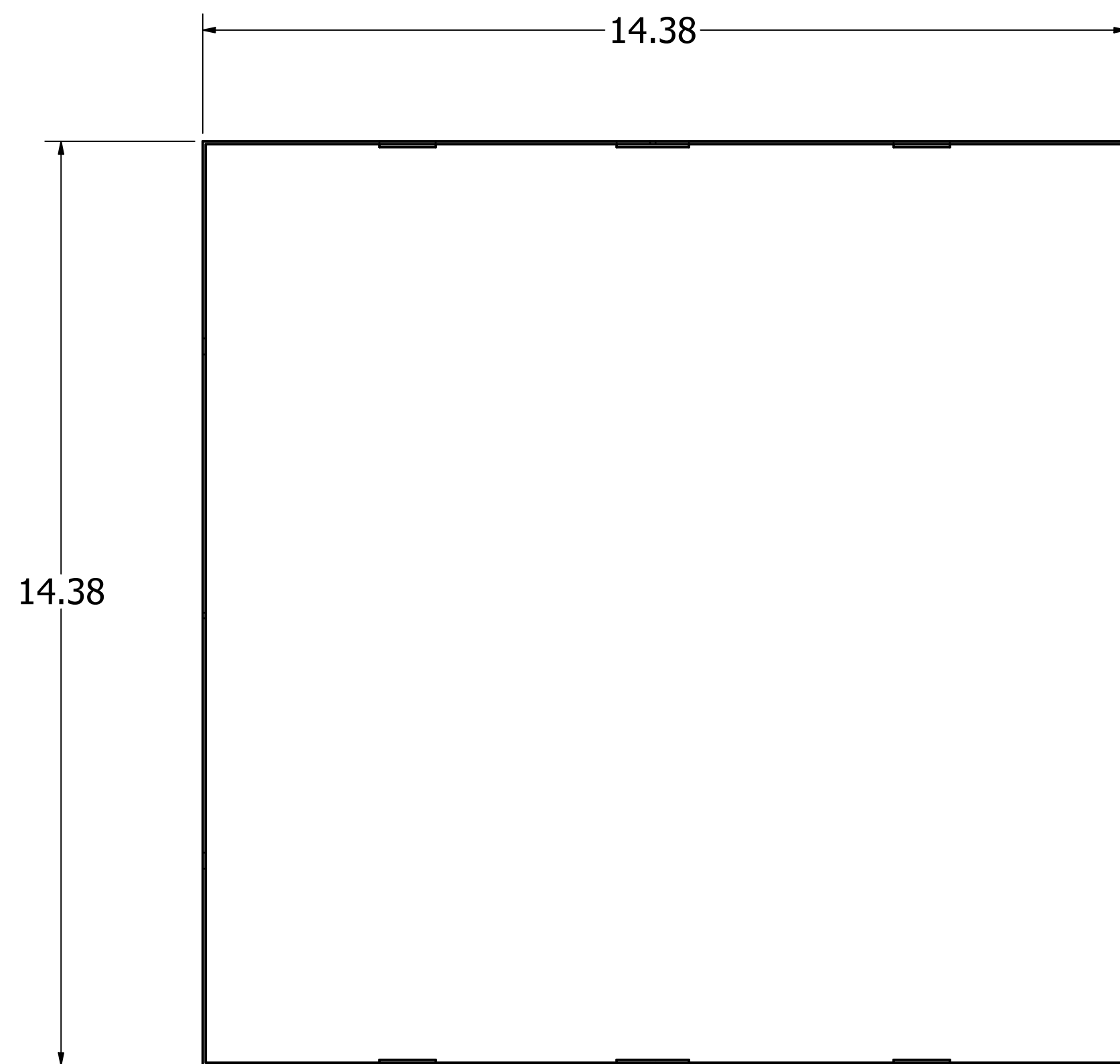
MAJOR KNOCK-OUT HAS  $\varnothing 1.125$  INCHES.

MINOR KNOCK-OUT HAS  $\varnothing 0.875$  INCHES.

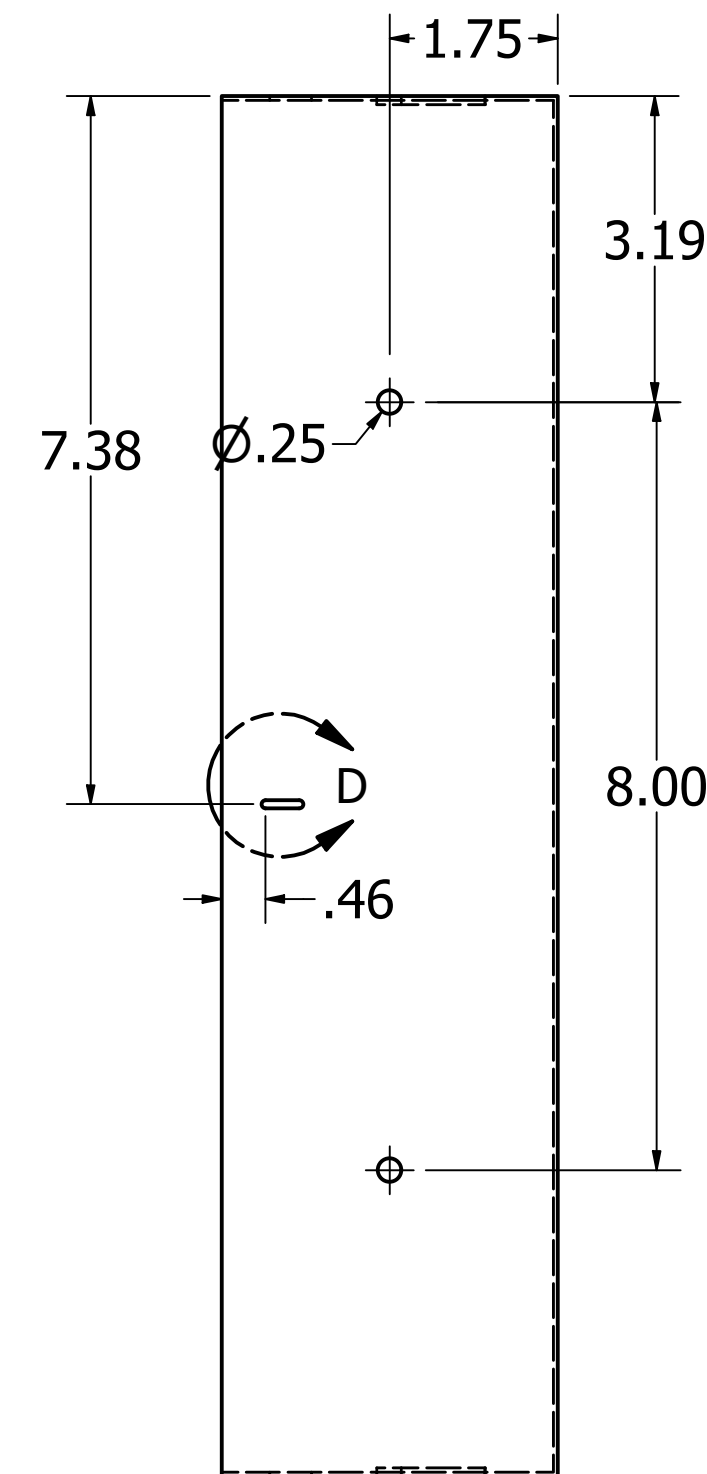
HOUSING MADE USING 19 GAUGE STEEL.



DETAIL C AND D ARE SAME  
DETAIL C  
SCALE 1 : 1



DETAIL C AND D ARE SAME  
DETAIL D  
SCALE 1 : 1



800-473-0213 | info@mierproducts.com | www.mierproducts.com

DRAWN Andrew Thompson	6/17/2019	Mier Products, Inc.	
CHECKED Brock Borden	3/5/2020	TITLE	
QA		bw-314 (MPO 2801)	
APPROVED		SIZE D	DWG NO bw-314
		SCALE 1 / 2	REV
		SHEET 1 OF 1	