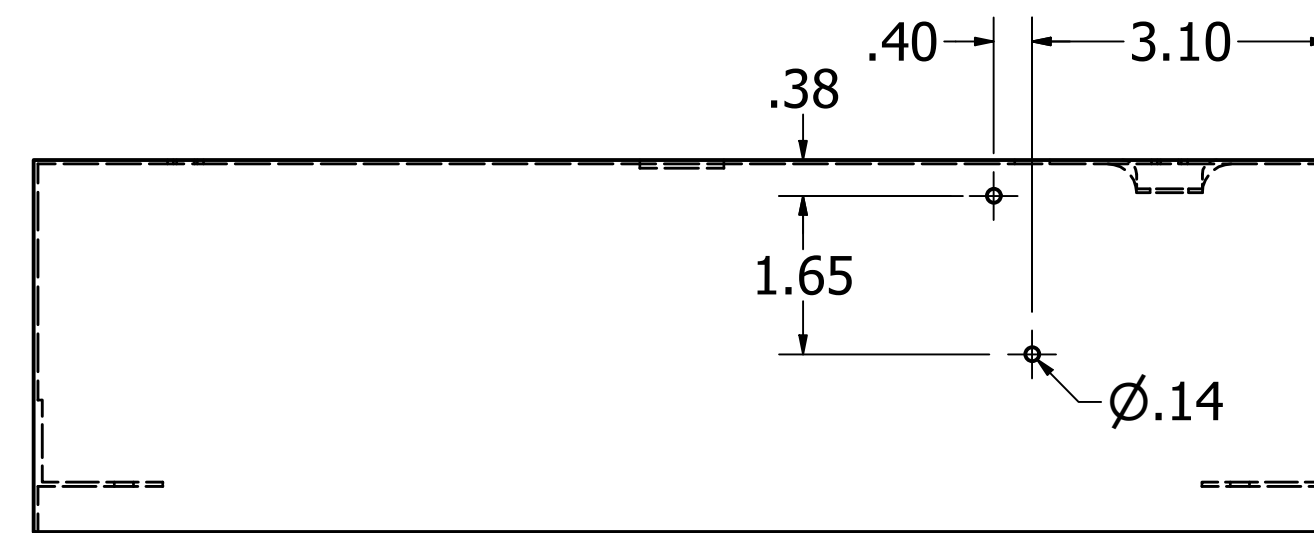
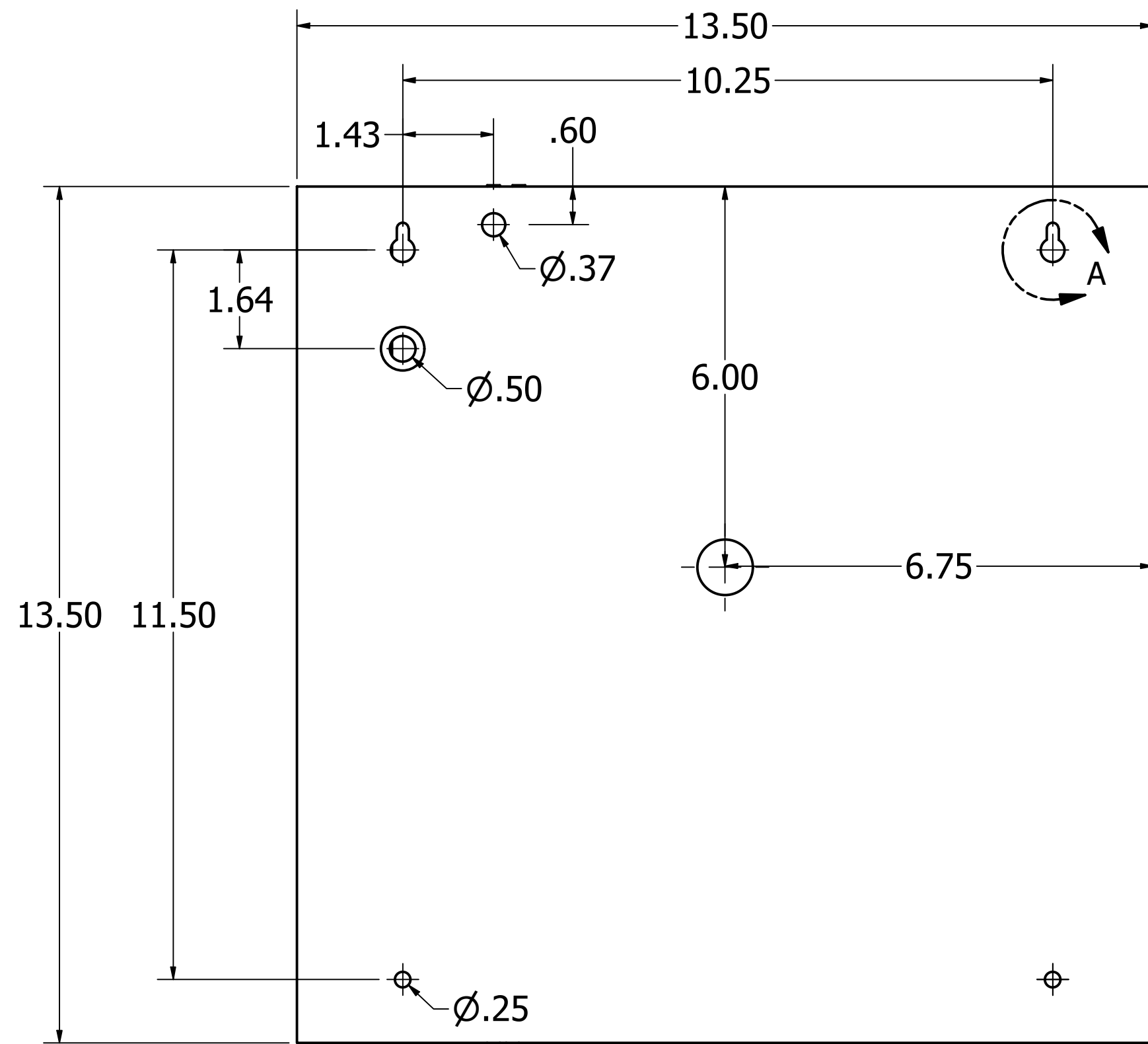


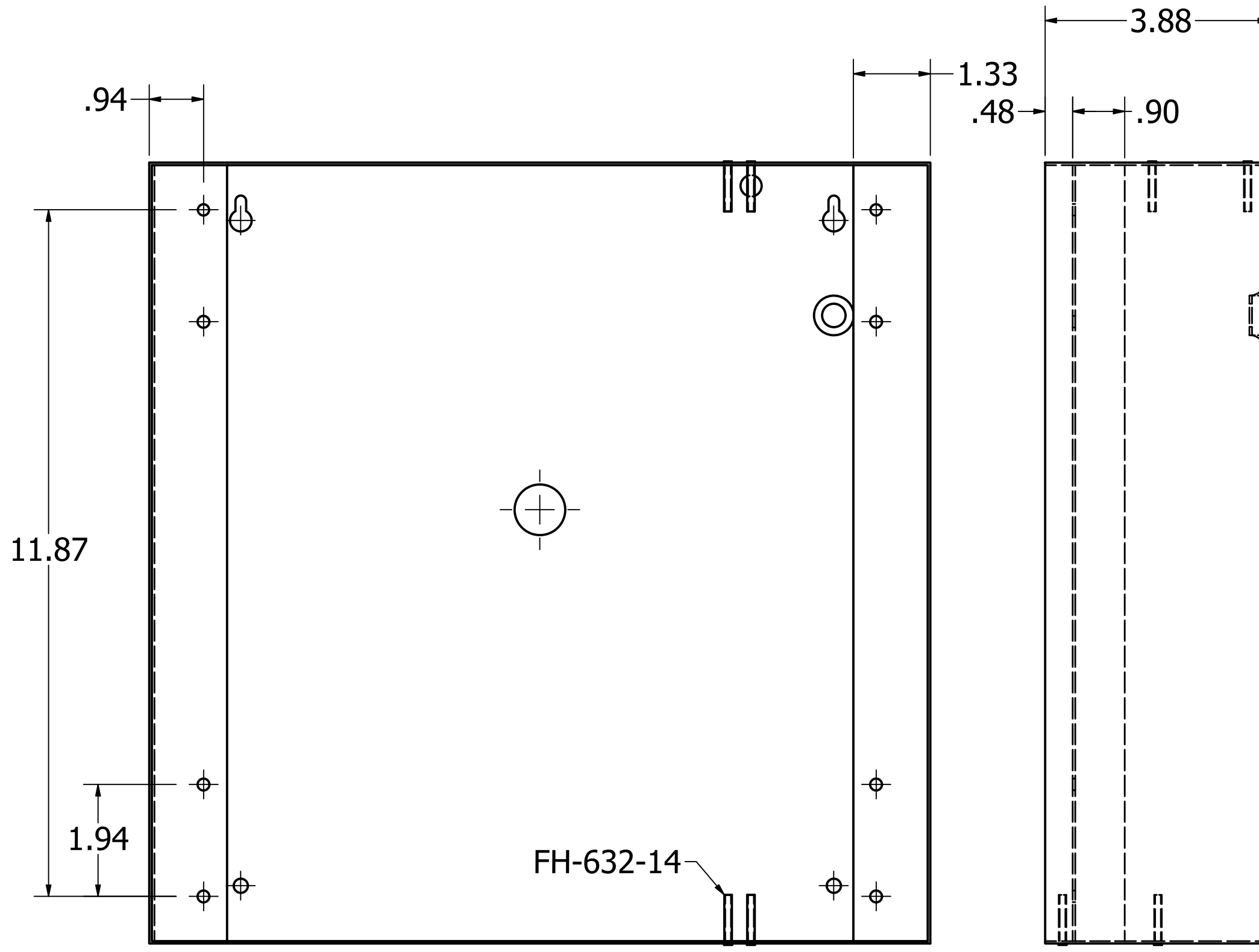
DETAIL A
SCALE 1 : 1



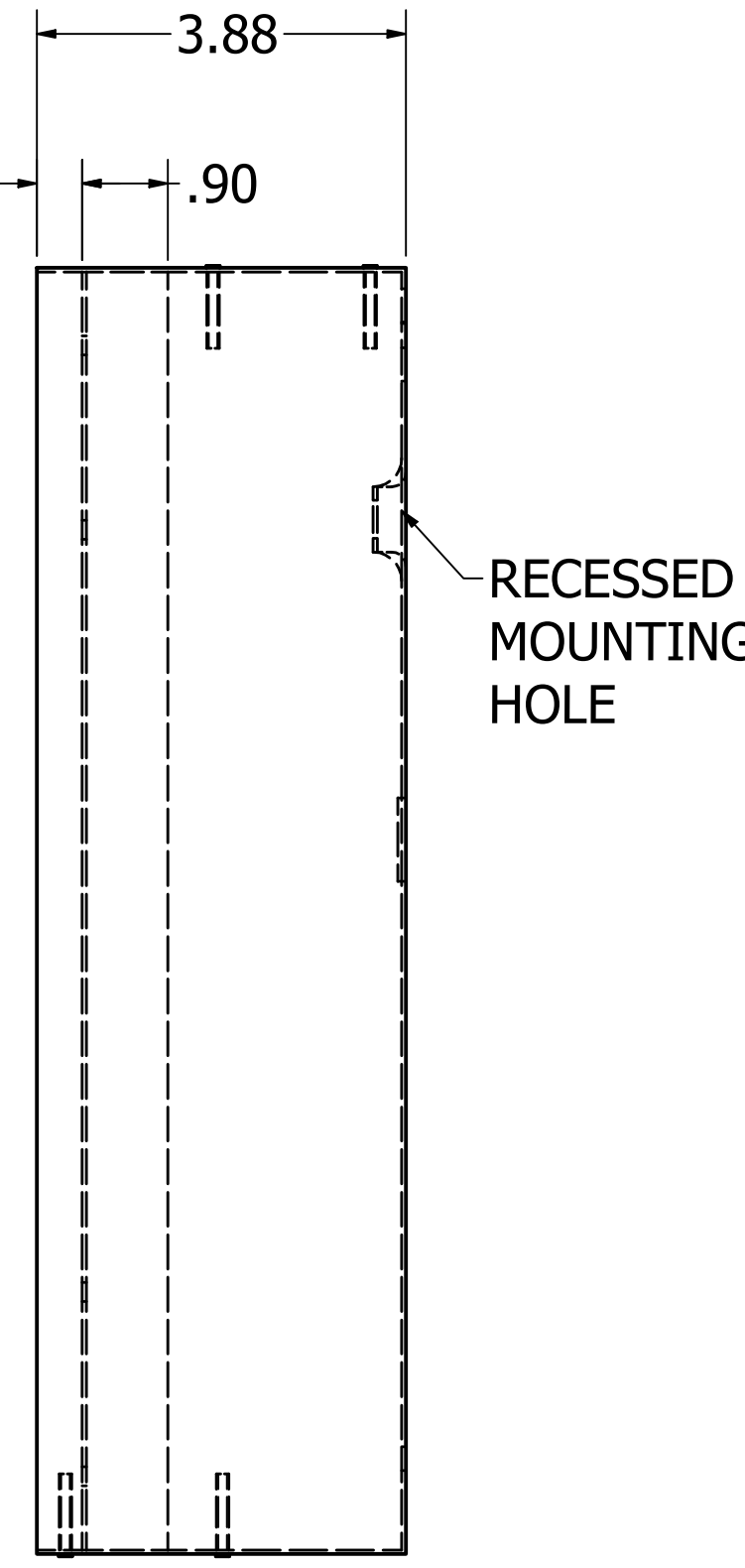
TOP



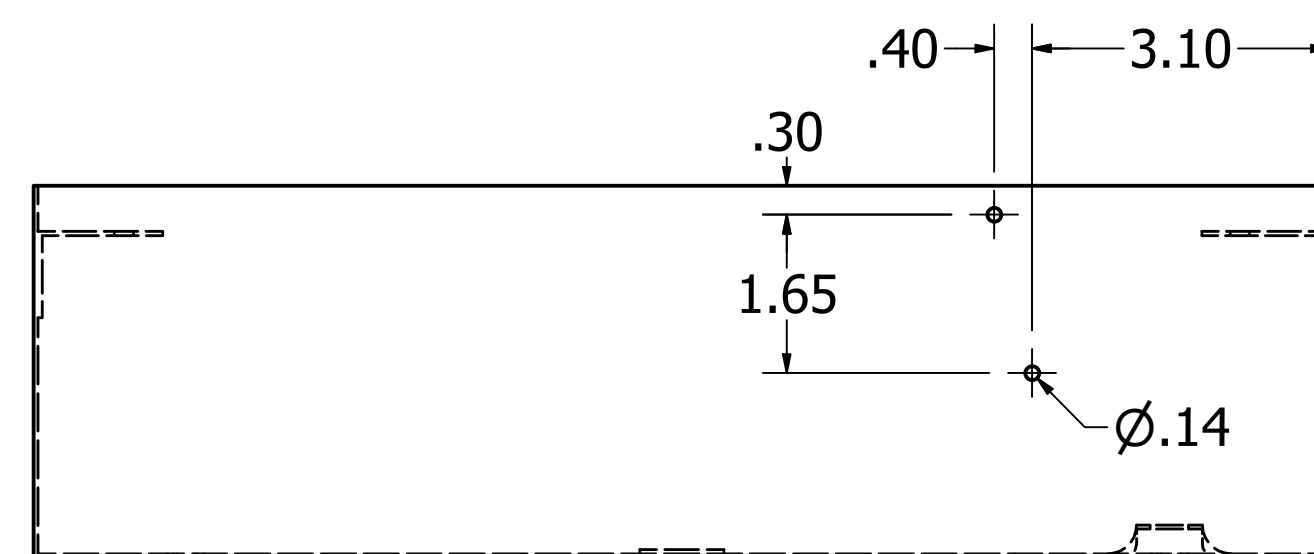
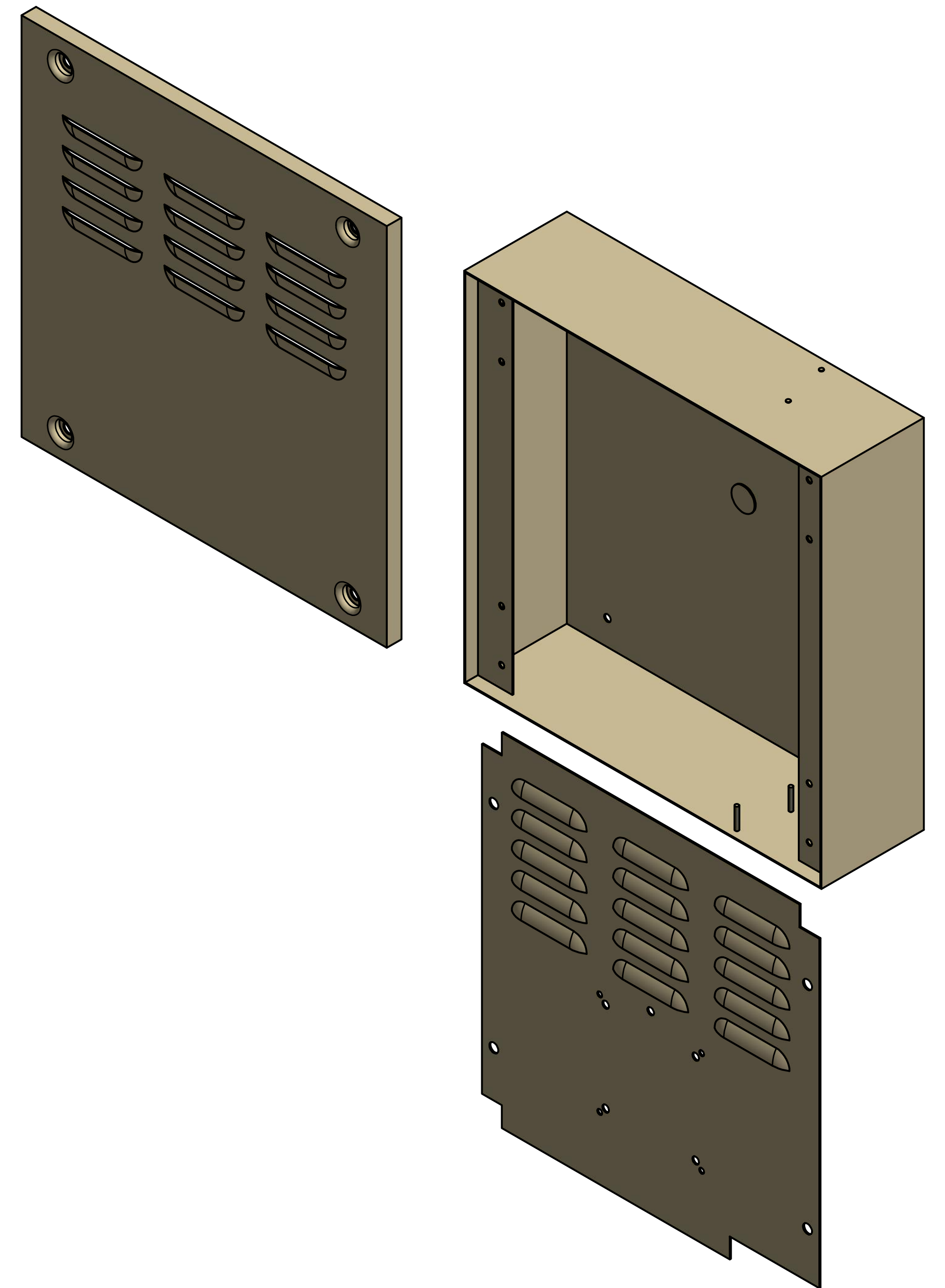
BACK



FRONT



RIGHT



BOTTOM

ALL UNITS IN INCHES UNLESS OTHERWISE STATED.

KNOCK-OUTS HAVE Ø.875 INCHES.

HOUSING MADE USING 19 GAUGE STEEL.



800-473-0213 | info@mierproducts.com | www.mierproducts.com



DRAWN Andrew Thompson	6/5/2019	Mier Products, Inc.	
CHECKED Brock Borden	3/5/2020	TITLE	
QA		BW-308c	
MFG		SIZE D	DWG NO bw-308c
APPROVED		SCALE 1 / 2	REV
			SHEET 1 OF 1