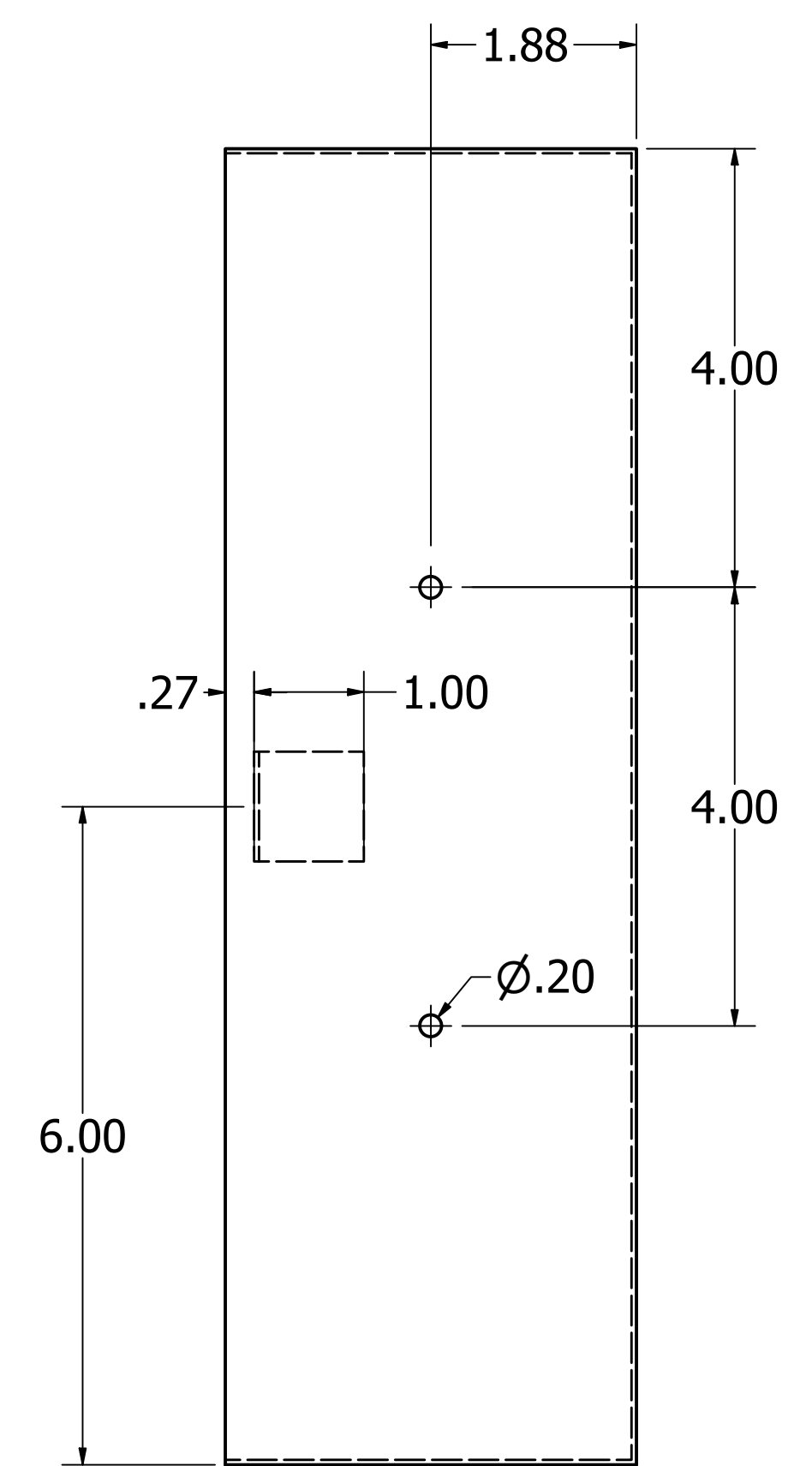
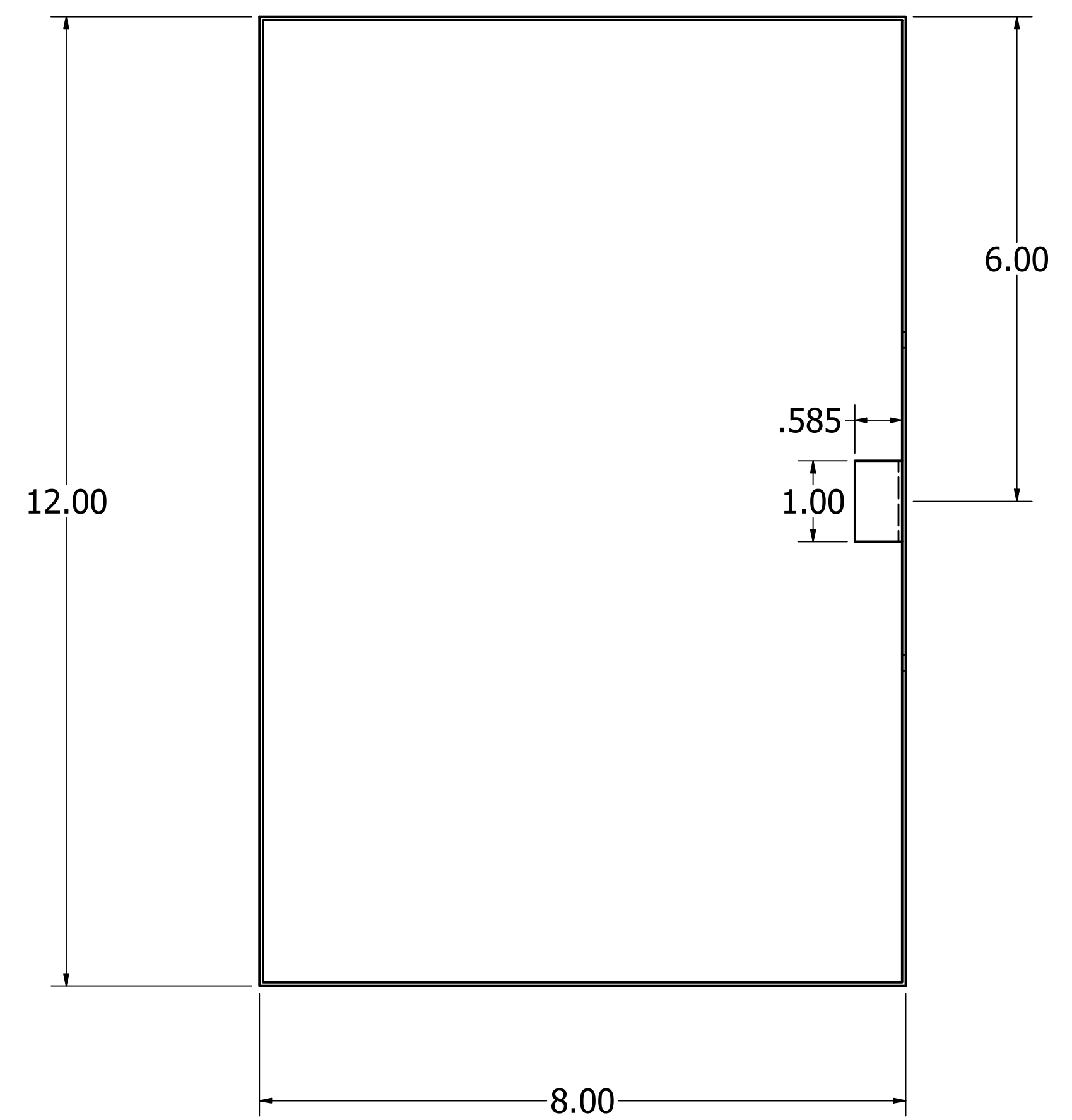
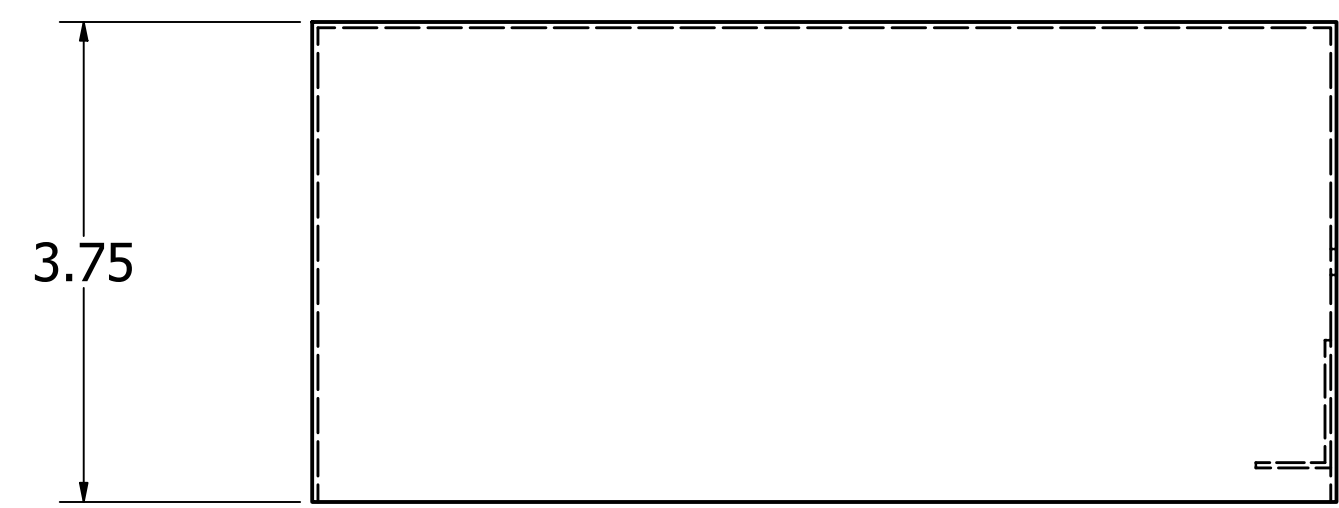
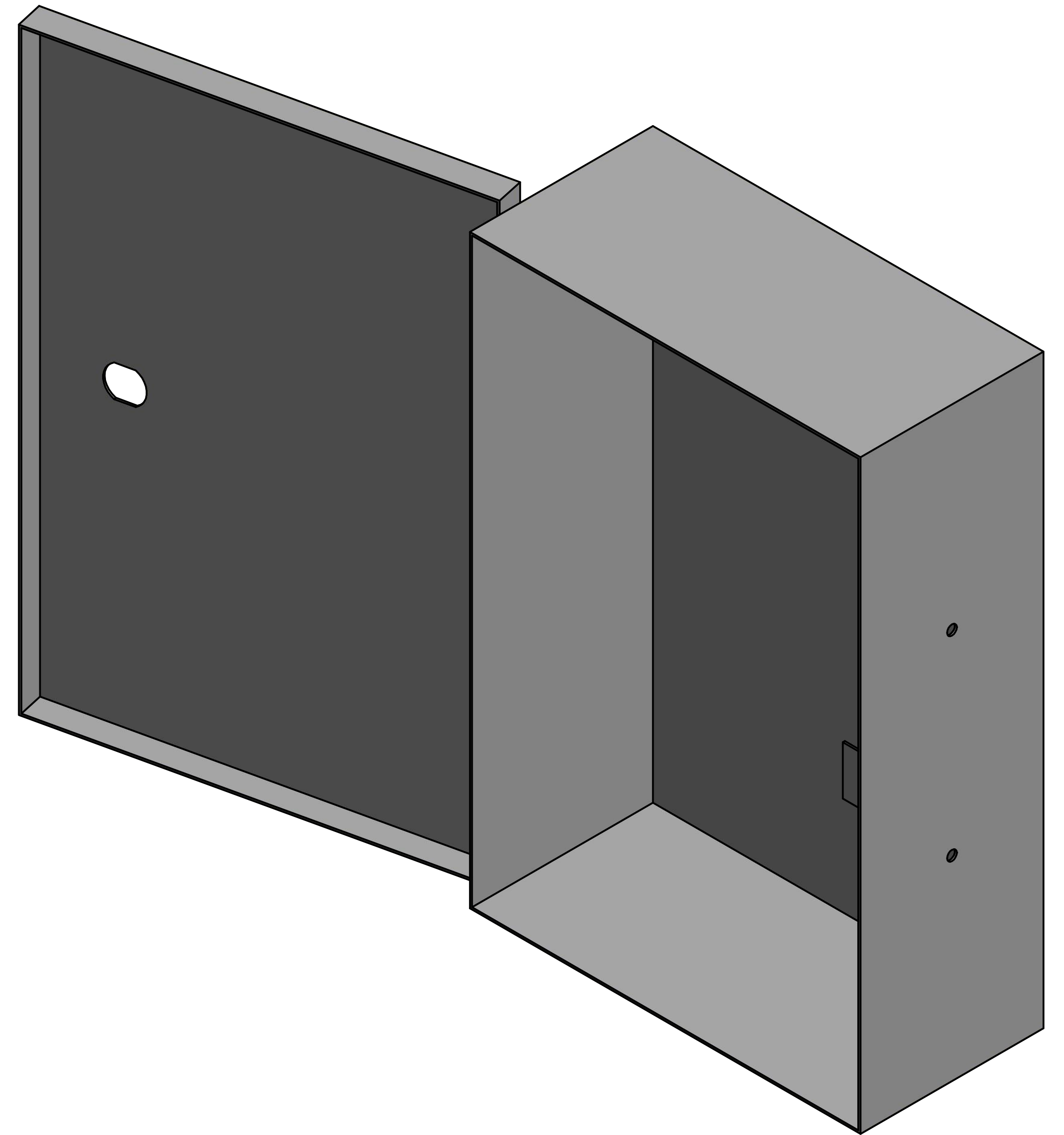


ALL UNITS IN INCHES UNLESS OTHERWISE STATED.

HOUSING MADE USING 19 GAUGE STEEL.



DRAWN Andrew Thompson	6/17/2019	Mier Products, Inc.	
CHECKED Brock Borden	3/5/2020	TITLE	
QA		bw-301 (MPO 2518)	
APPROVED		SIZE D	DWG NO bw-301
		SCALE 2 : 3	REV
		SHEET 1 OF 1	