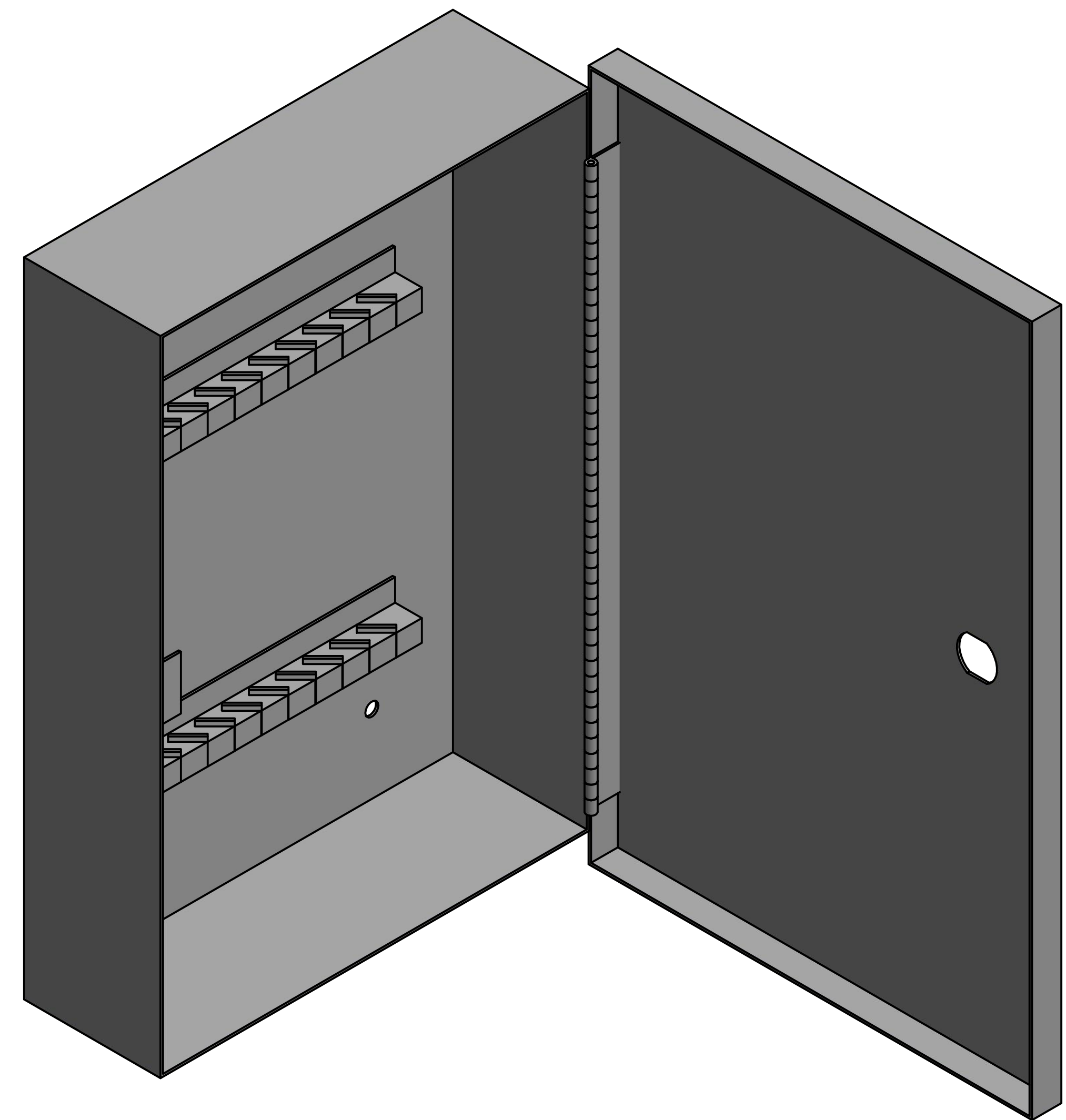
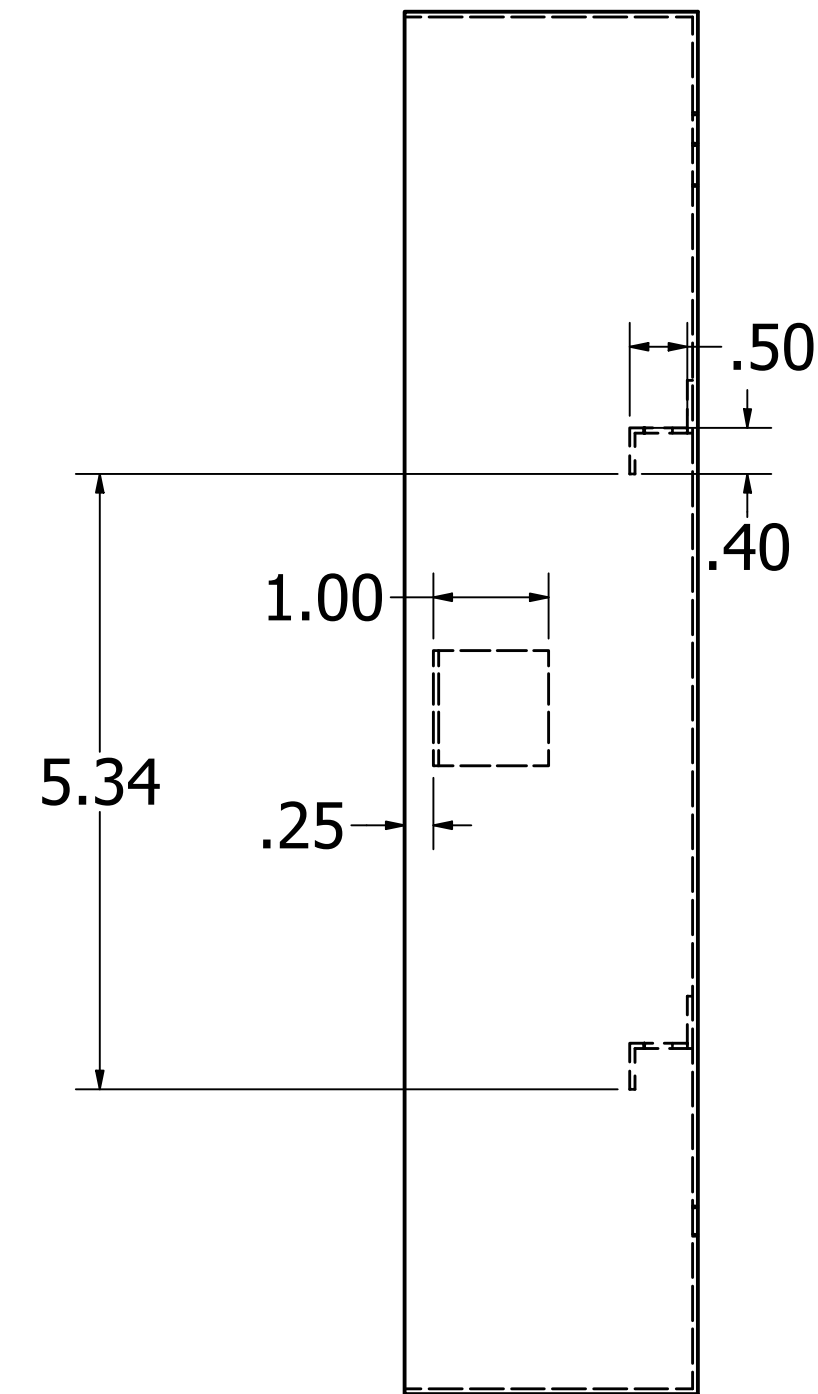
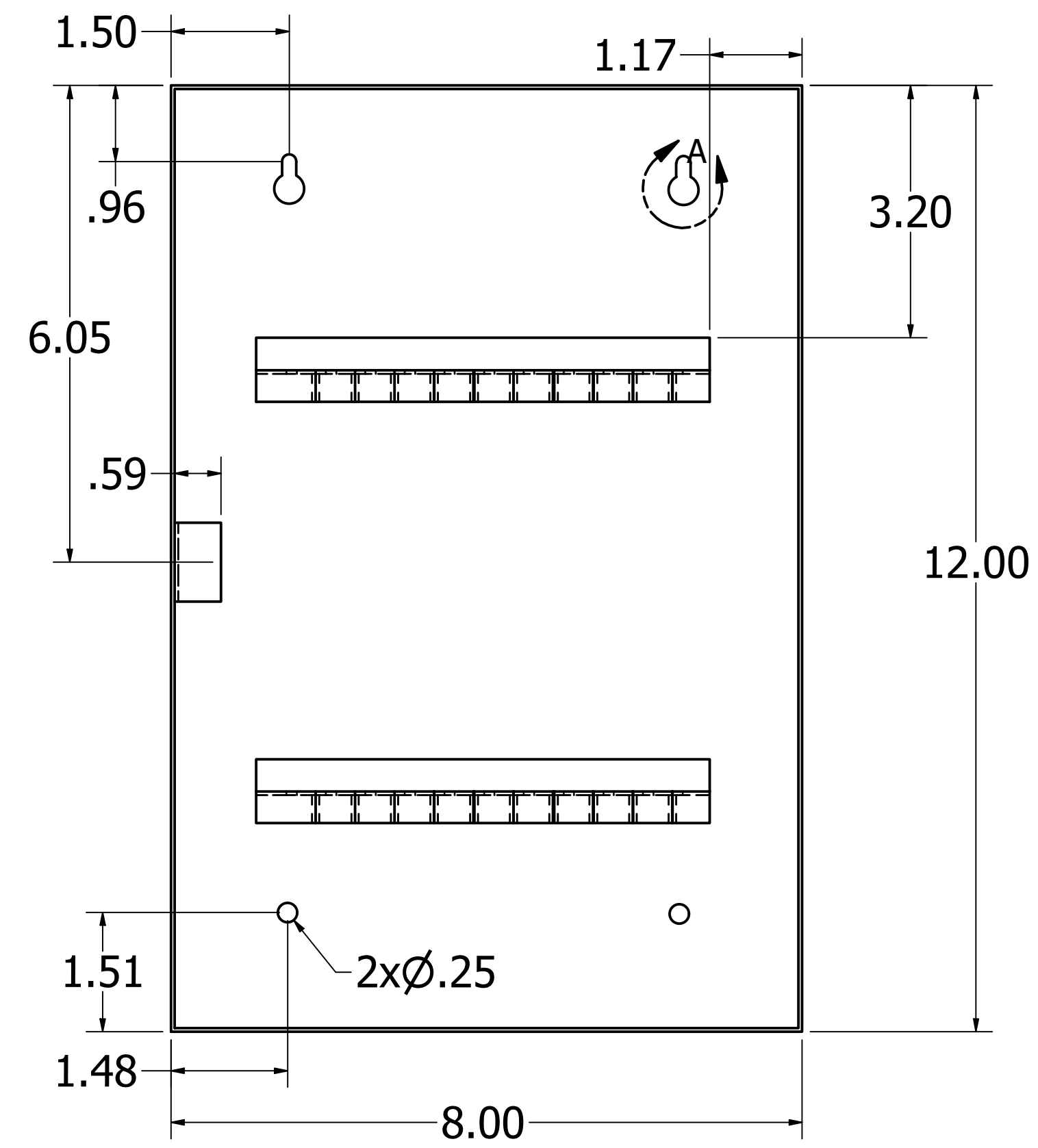


8 | 7 | 6 | 5 | 4 | 3 | 2 | 1

D

D

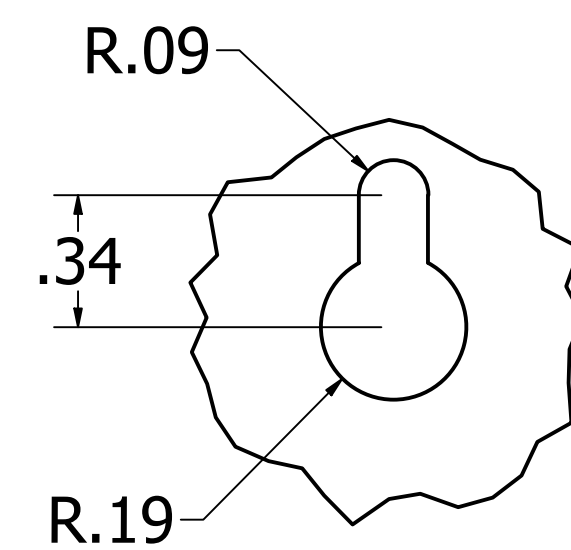
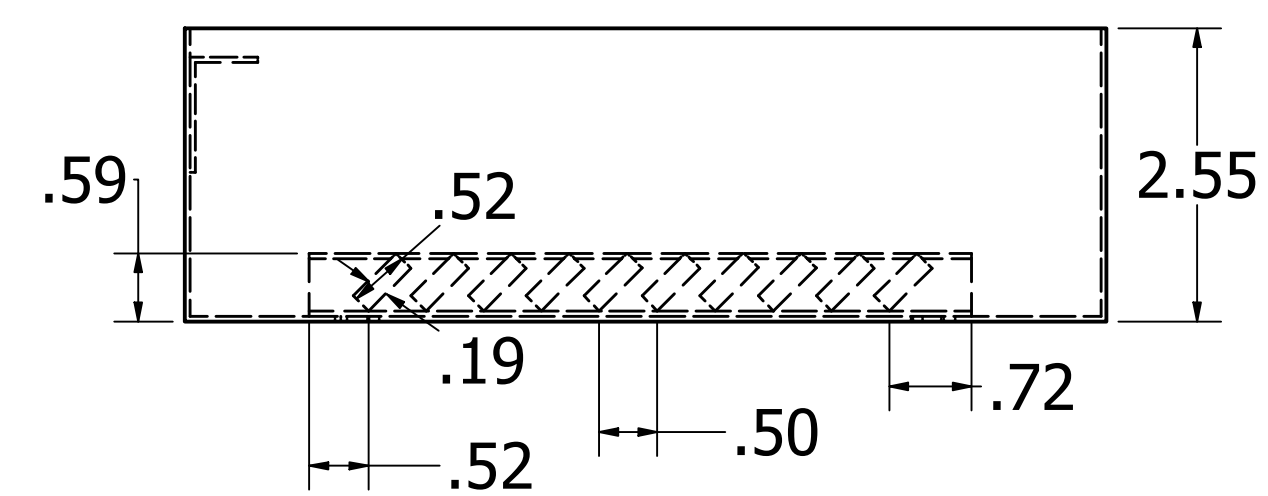


C

C

B

B



DETAIL A
SCALE 2

ALL UNITS IN INCHES UNLESS OTHERWISE STATED.

B

B

A

A



DRAWN Brock Borden	1/13/2020	Mier Products	
CHECKED		TITLE	
QA		BW-300	
MFG		SIZE D	DWG NO bw-300 box
APPROVED		SCALE 3/5	REV
		SHEET 1 OF 1	

8 | 7 | 6 | 5 | 4 | 3 | 2 | 1