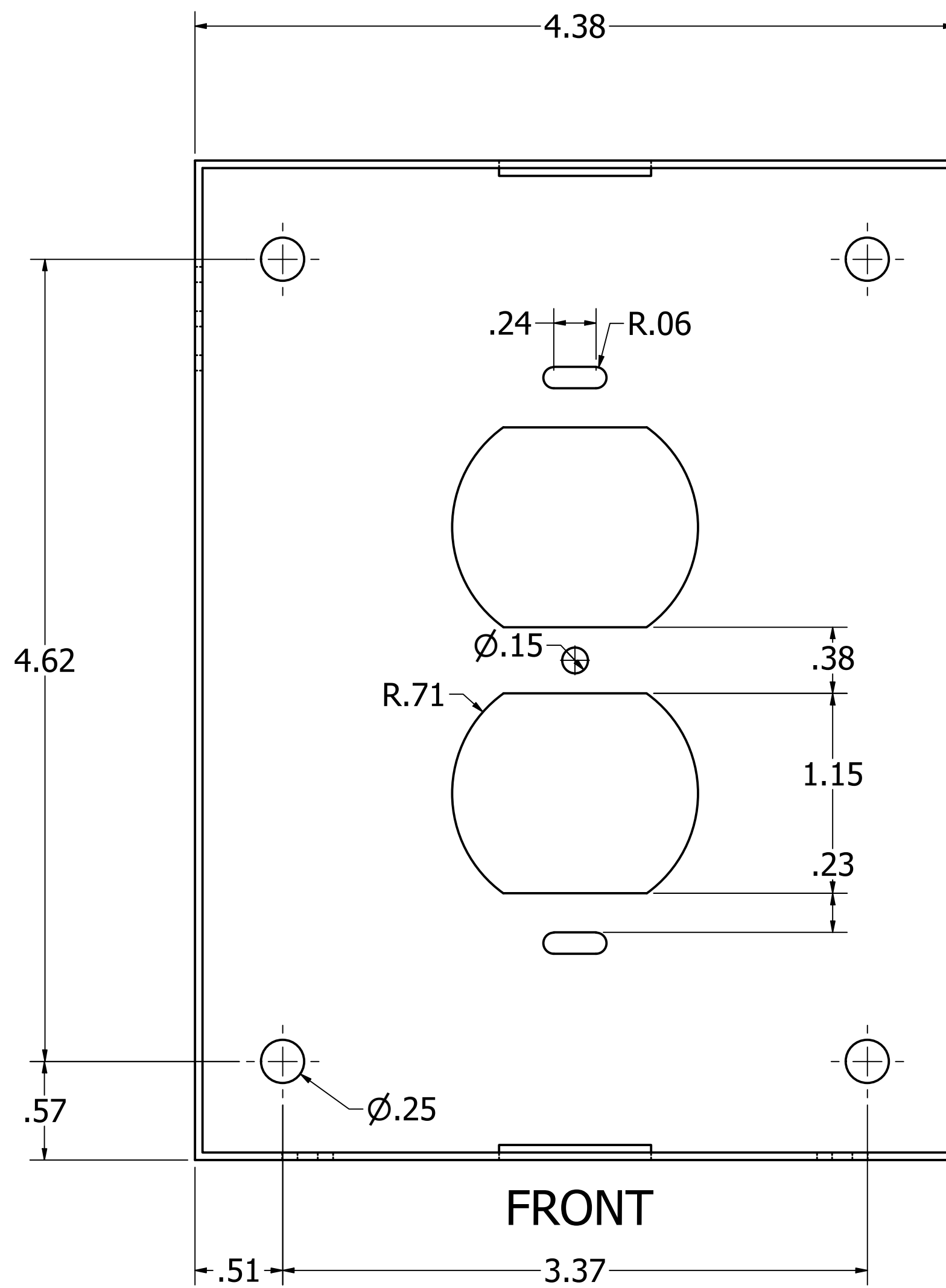
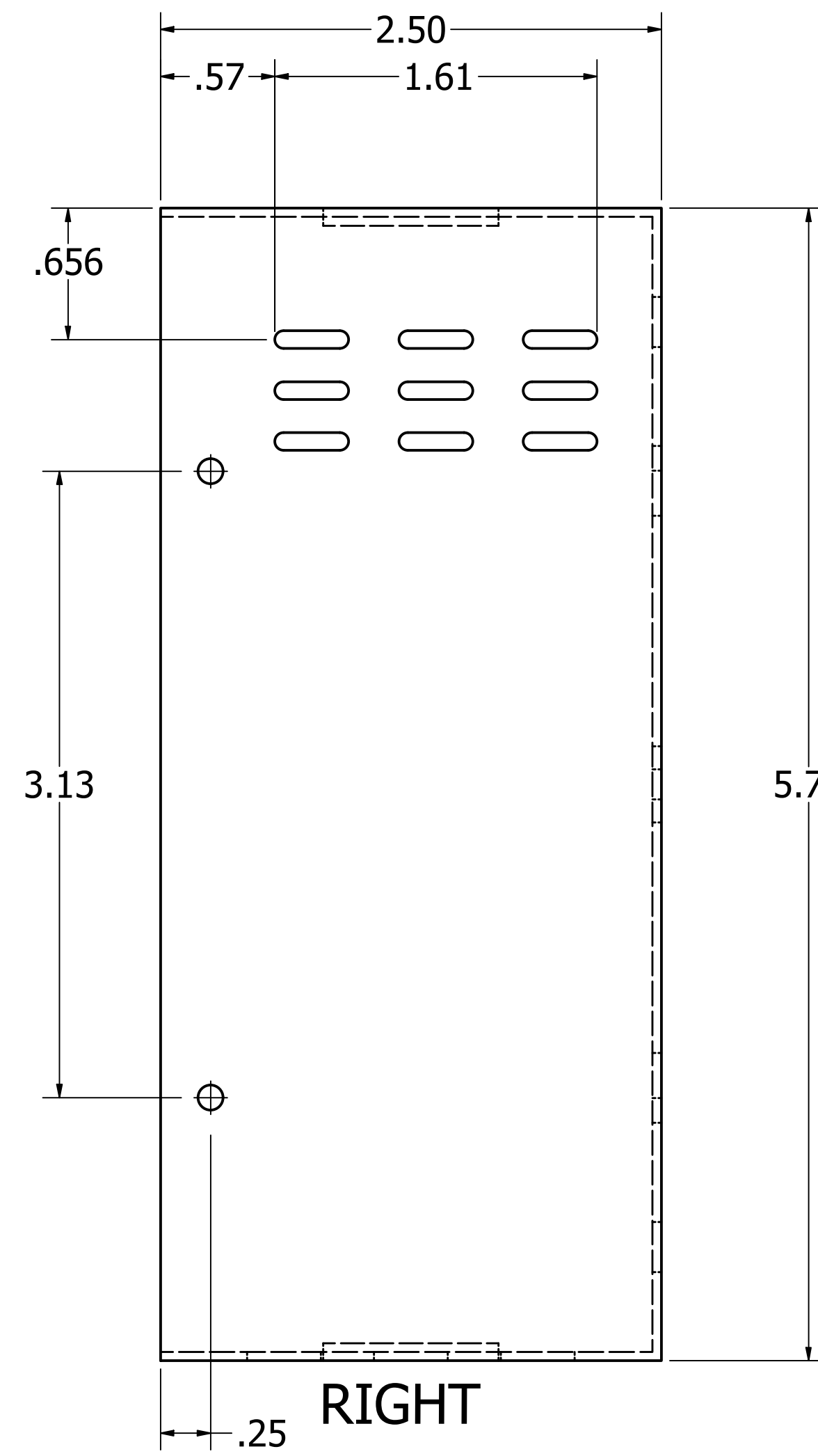


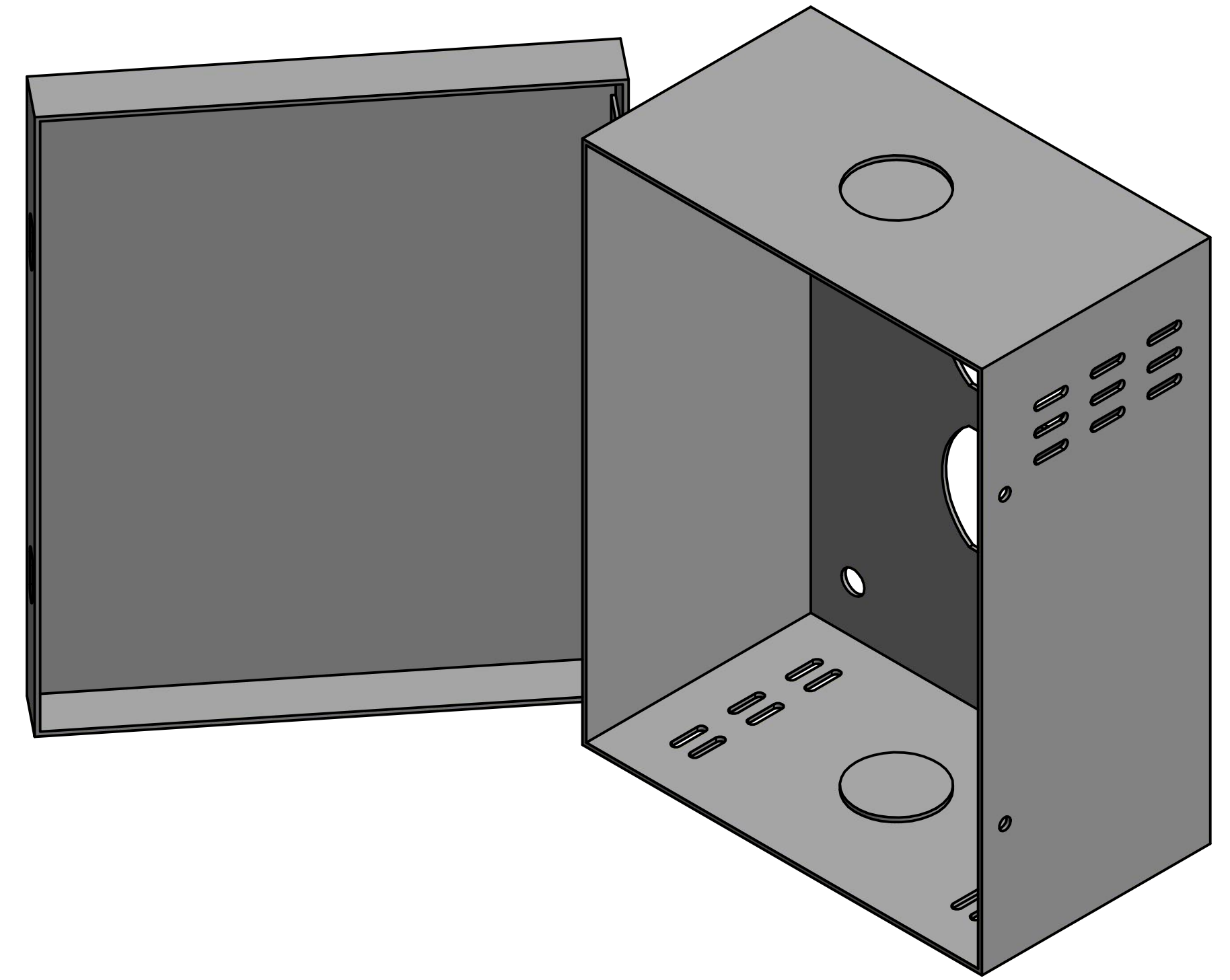
LEFT



FRONT



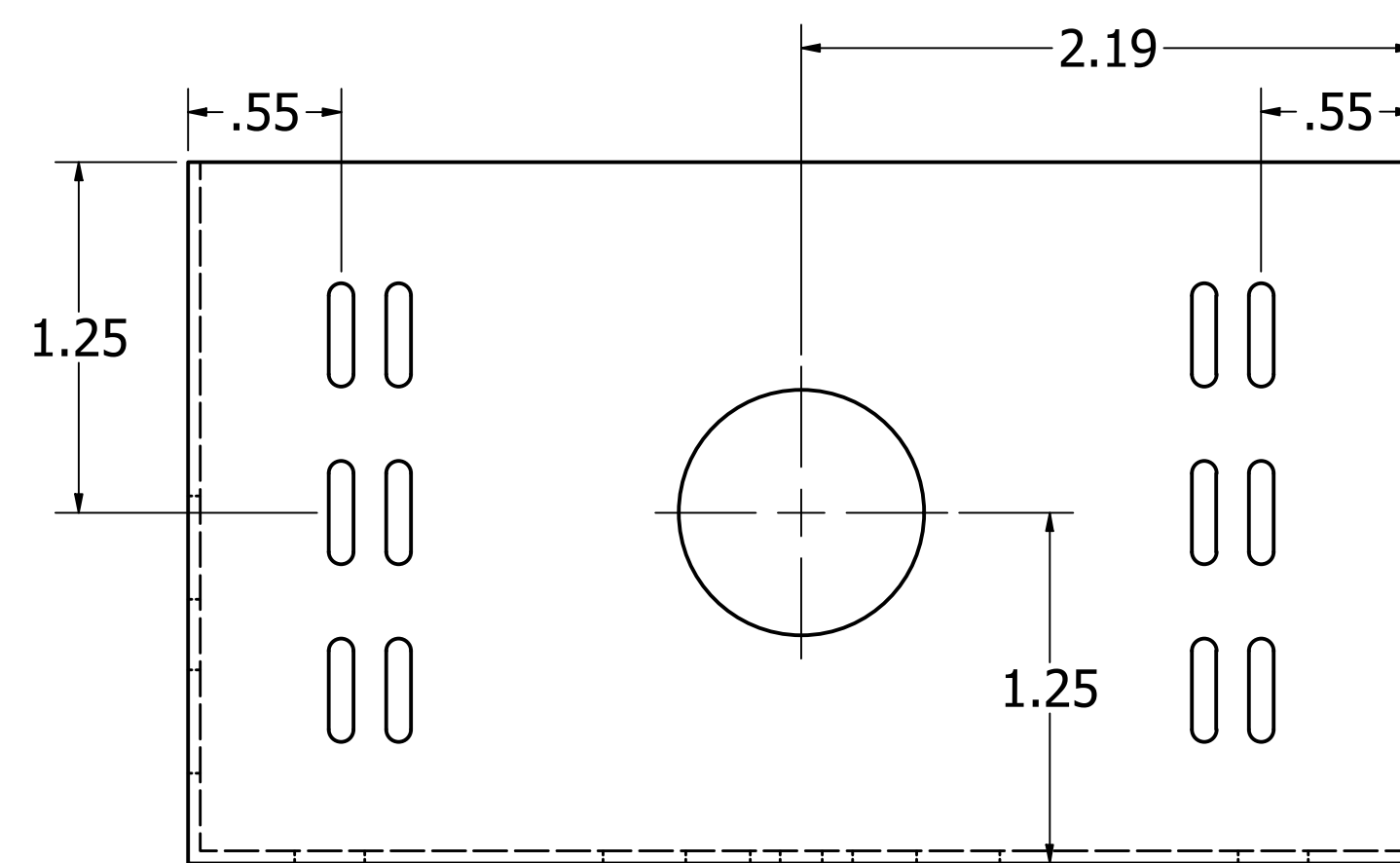
RIGHT



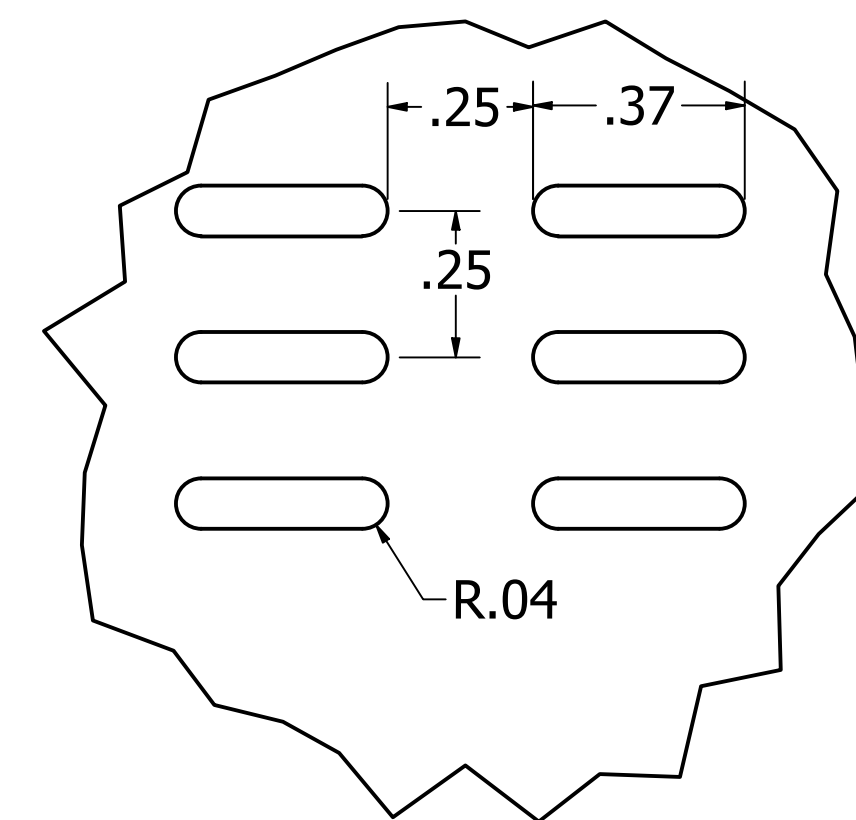
ALL UNITS IN INCHES UNLESS OTHERWISE STATED.

KNOCK-OUTS ARE CENTERFACED WITH Ø.875 IN.

HOUSING MADE USING 19 GAUGE STEEL.



BOTTOM



NOTE: LOCATORS FOUND ON RIGHT VIEW
DETAIL B
SCALE 3 : 1



800-473-0213 | info@mierproducts.com | www.mierproducts.com



DRAWN Andrew Thompson	6/3/2019	Mier Products, Inc.	
CHECKED Brock Borden	9/3/2019	TITLE	
QA		BW-250 (MPO 2607)	
MFG		SIZE D	DWG NO bw-250
APPROVED		SCALE 3 : 2	REV
		SHEET 1 OF 1	