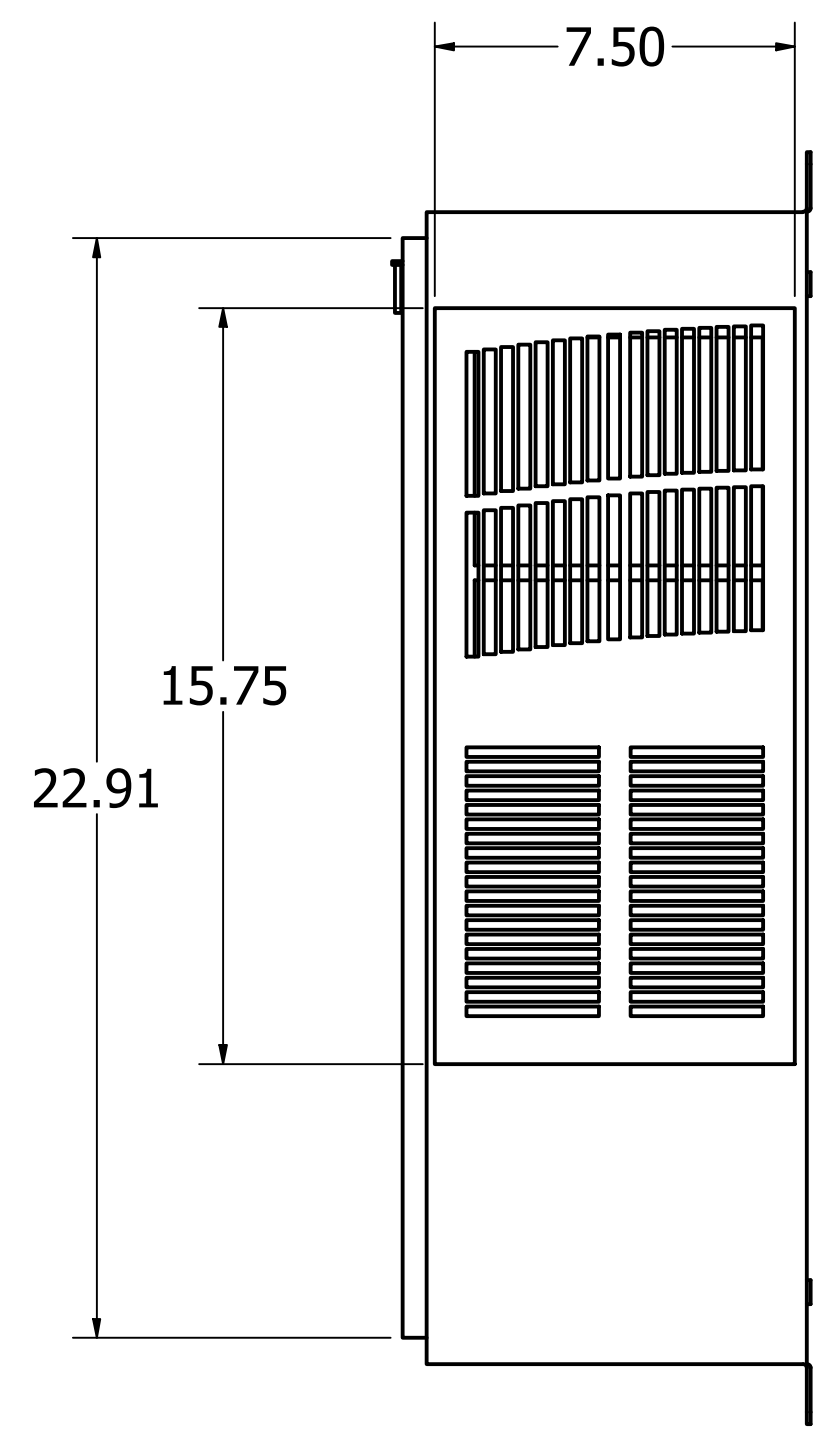
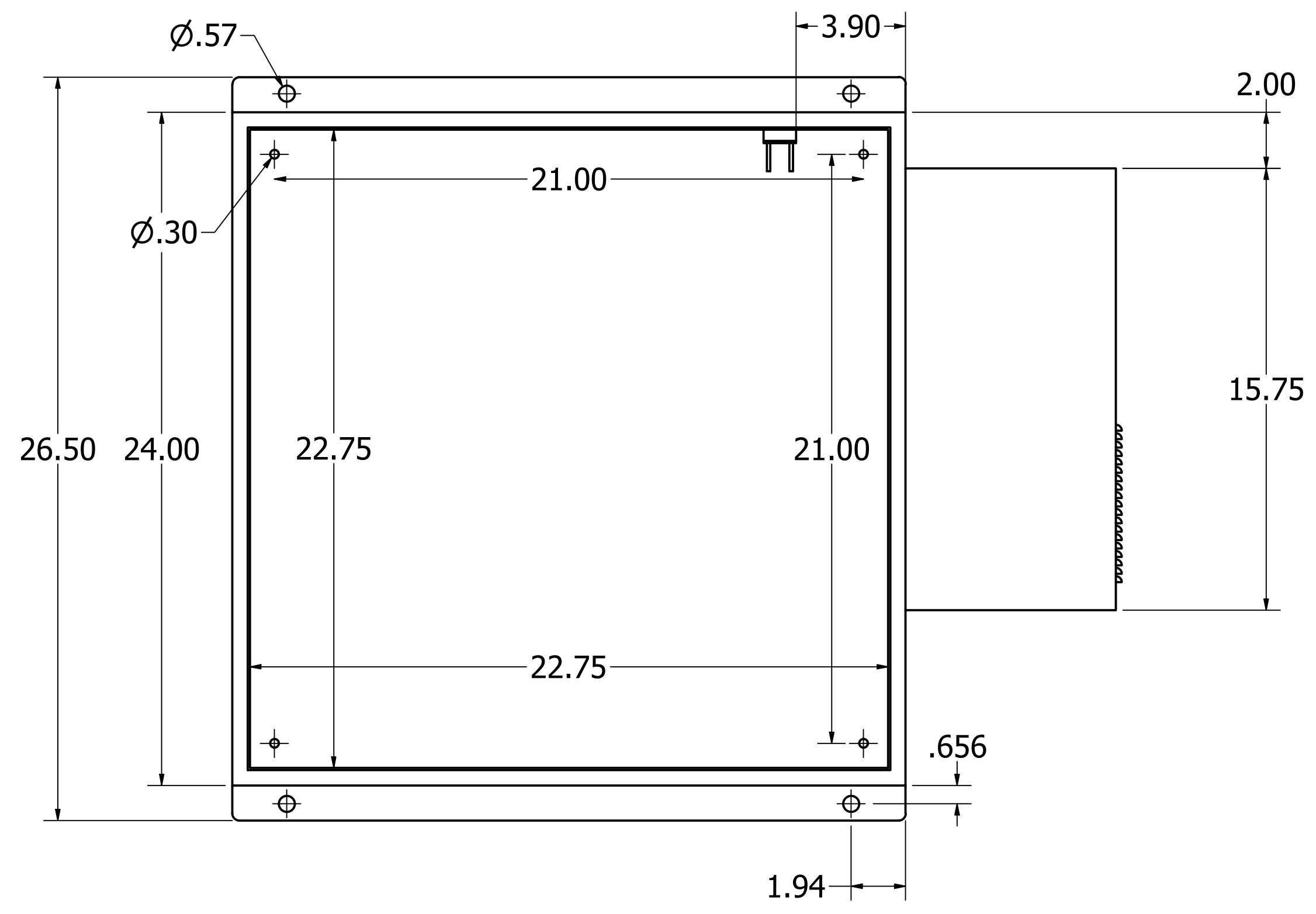
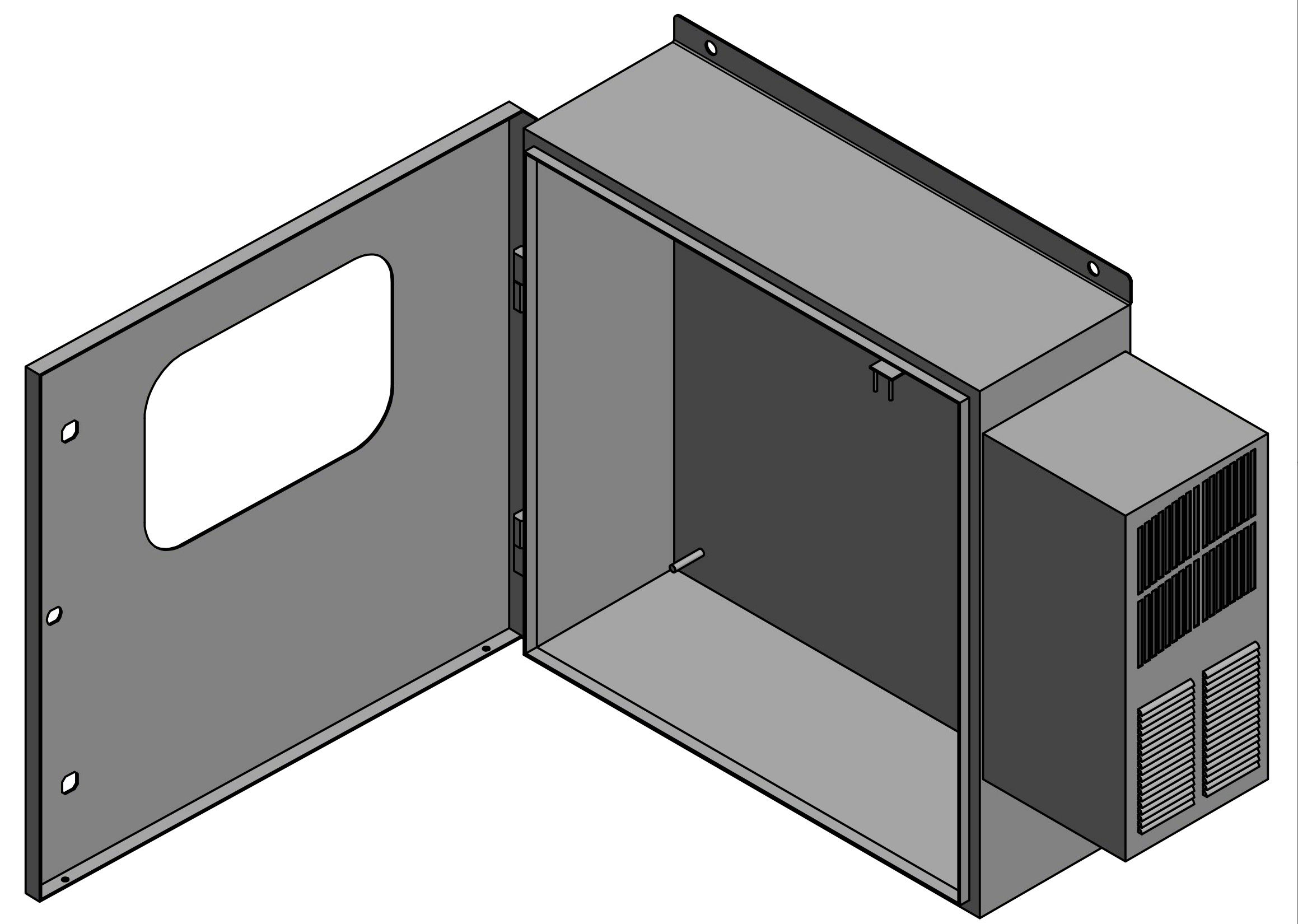


ALL UNITS IN INCHES UNLESS OTHERWISE STATED

HOUSING MADE USING 14 GAUGE STEEL

DETAILED DRAWINGS AVAILABLE UPON REQUEST



ACHT Unit is McLean T15 ACHT

NOTE: UNIT SHOWN WITHOUT DOOR IN VIEWS



800-473-0213 | info@mierproducts.com | www.mierproducts.com



DRAWN Andrew Thompson	6/13/2019	Mier Products, Inc.	
CHECKED Brock Borden	12/12/2019	TITLE	
QA		bw-124-8-achtw (MPO 7139)	
MFG		SIZE	DWG NO
APPROVED		D	bw-124-8-achtw (MPO 7139)
		SCALE	1 / 4
		SHEET 1 OF 1	