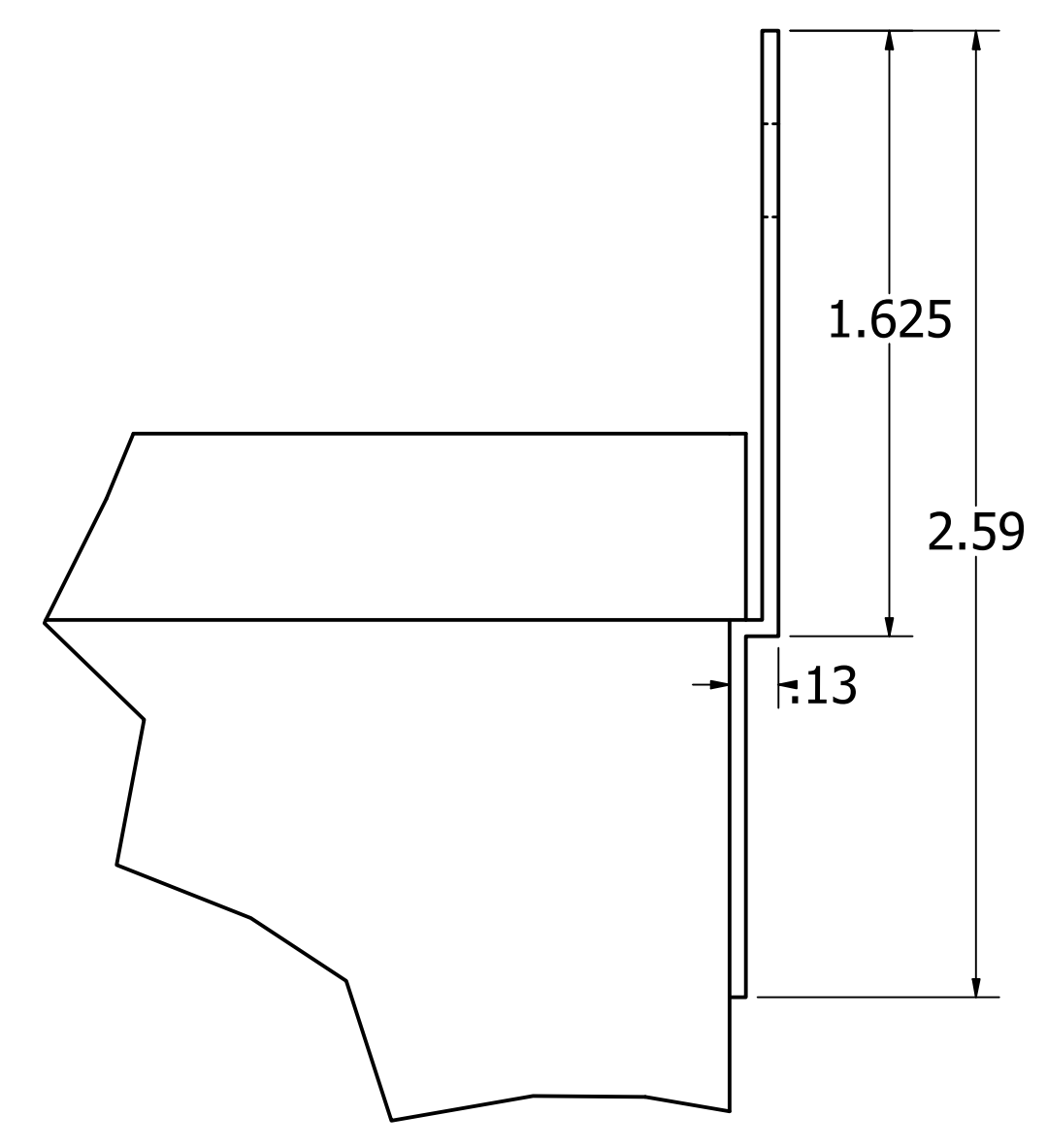
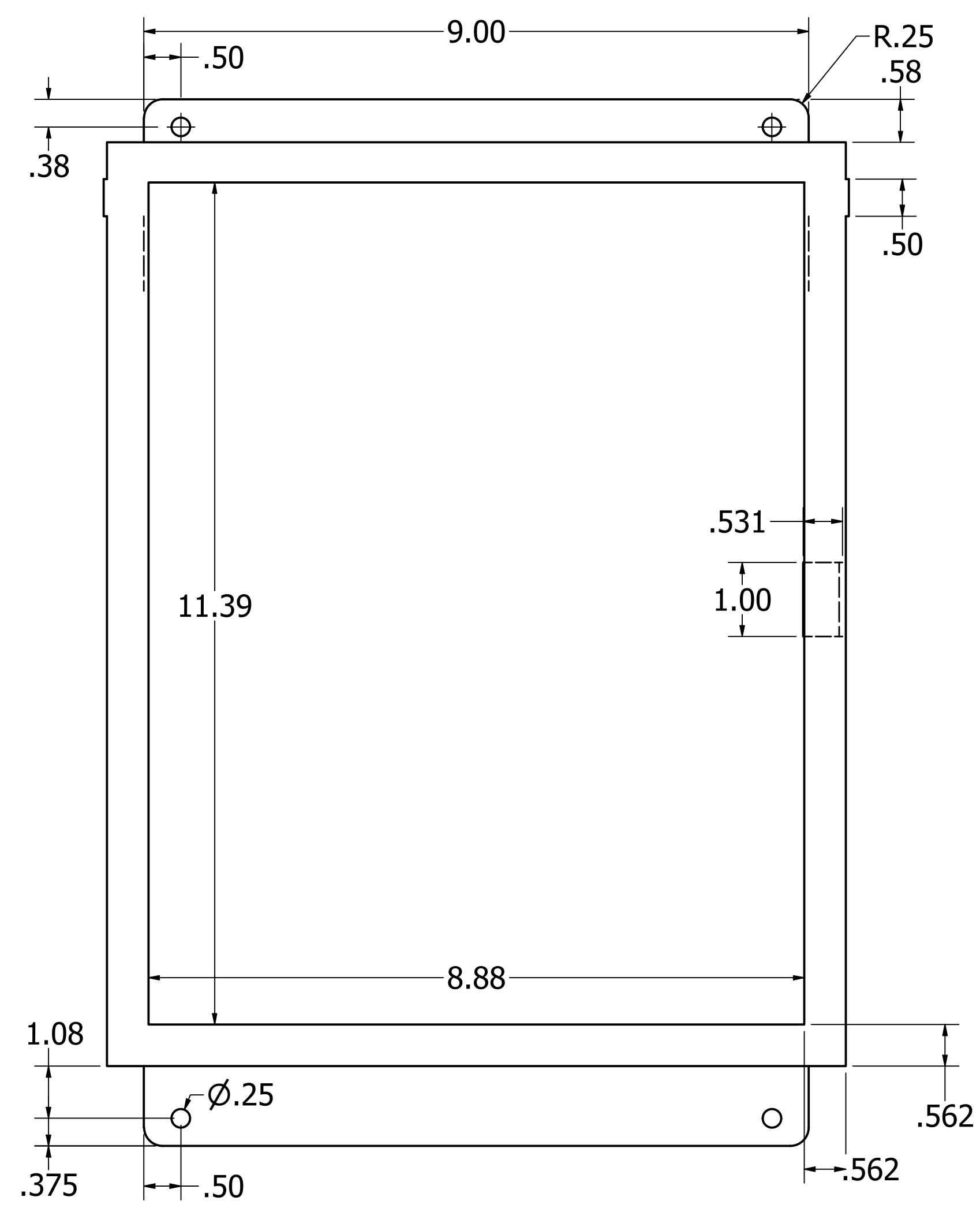
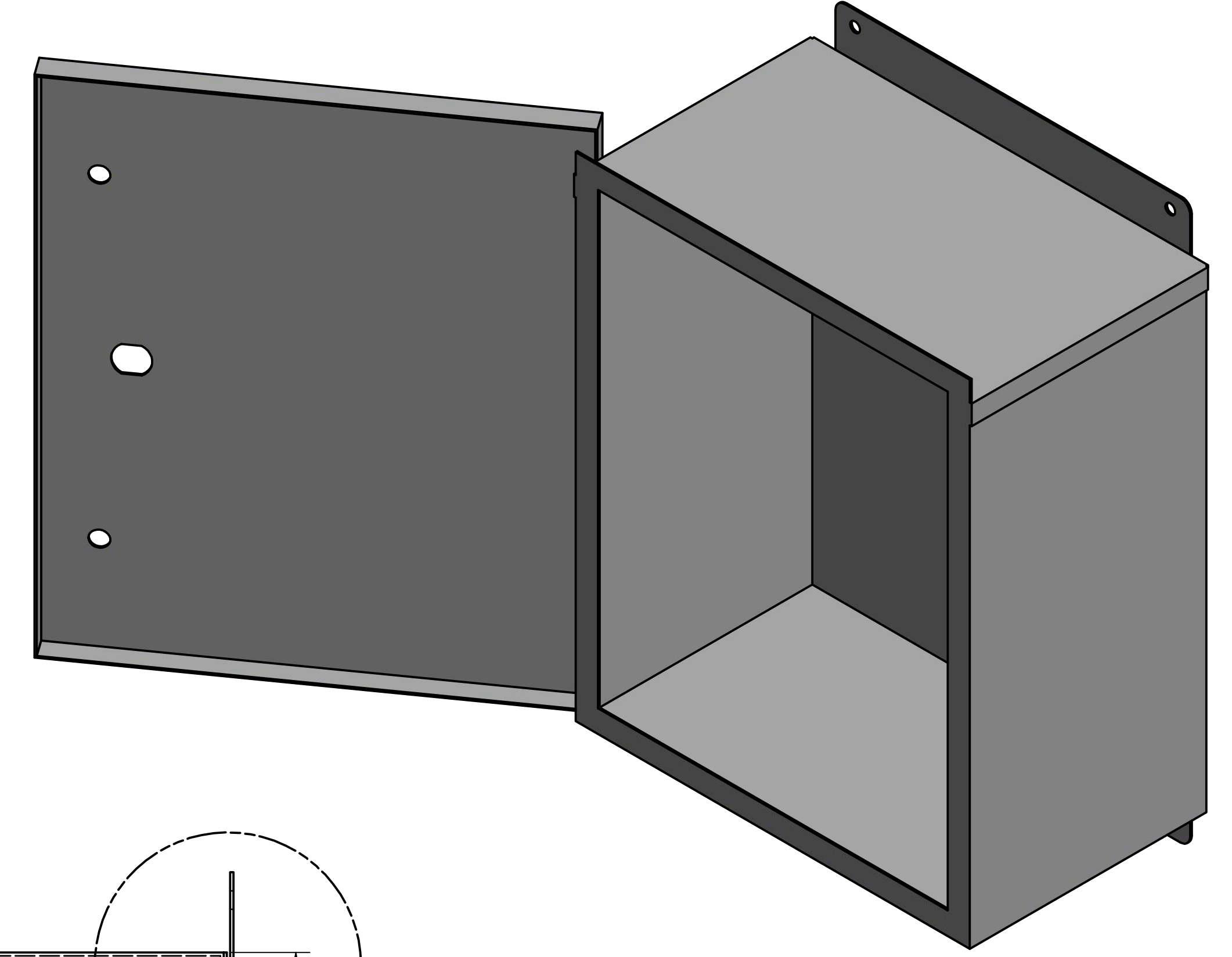
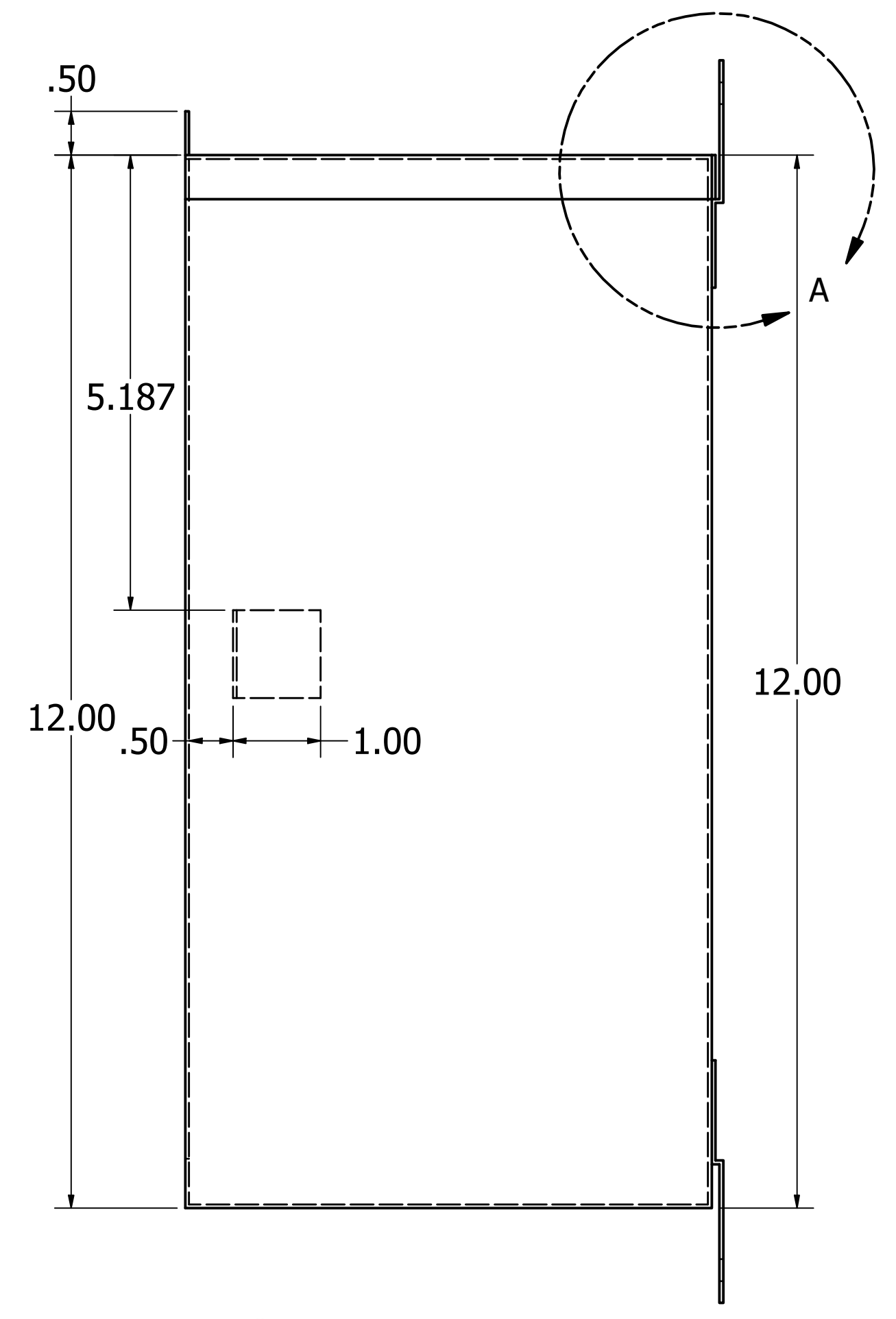


ALL UNITS IN INCHES UNLESS OTHERWISE STATED.
HOUSING MADE USING 18 GAUGE GALVANIZED STEEL.



TOP BRACKET MIRRORS BOTTOM BRACKET
DETAIL A
SCALE 2 : 1



800-473-0213 | info@mierproducts.com | www.mierproducts.com



DRAWN Andrew Thompson	6/13/2019	Mier Products, Inc.	
CHECKED Brock Borden	3/3/2020	TITLE	
QA		bw-119L (MPO 2224)	
MFG		SIZE D	DWG NO bw-119L
APPROVED		SCALE 2 : 3	REV
		SHEET 1 OF 1	