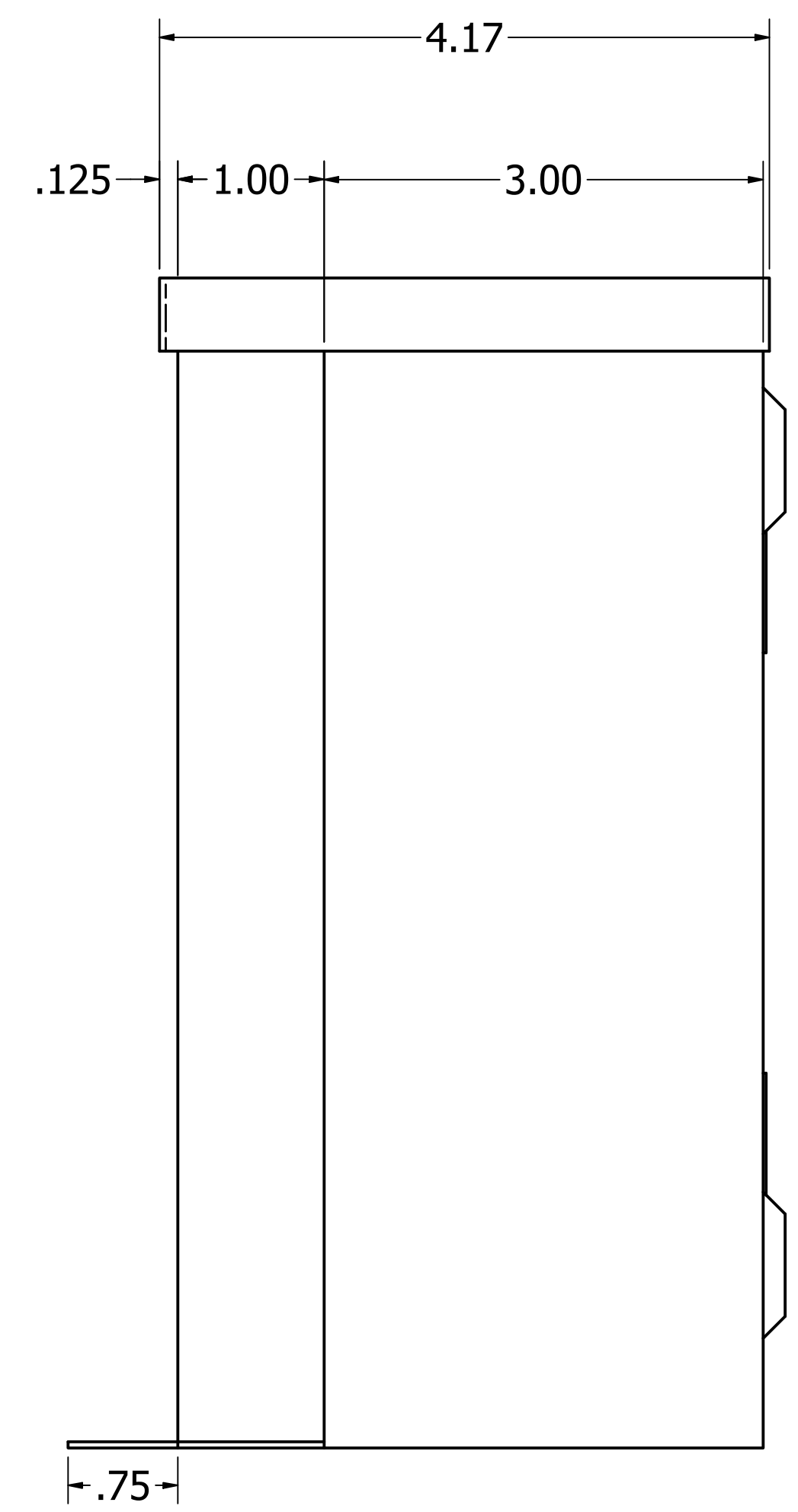
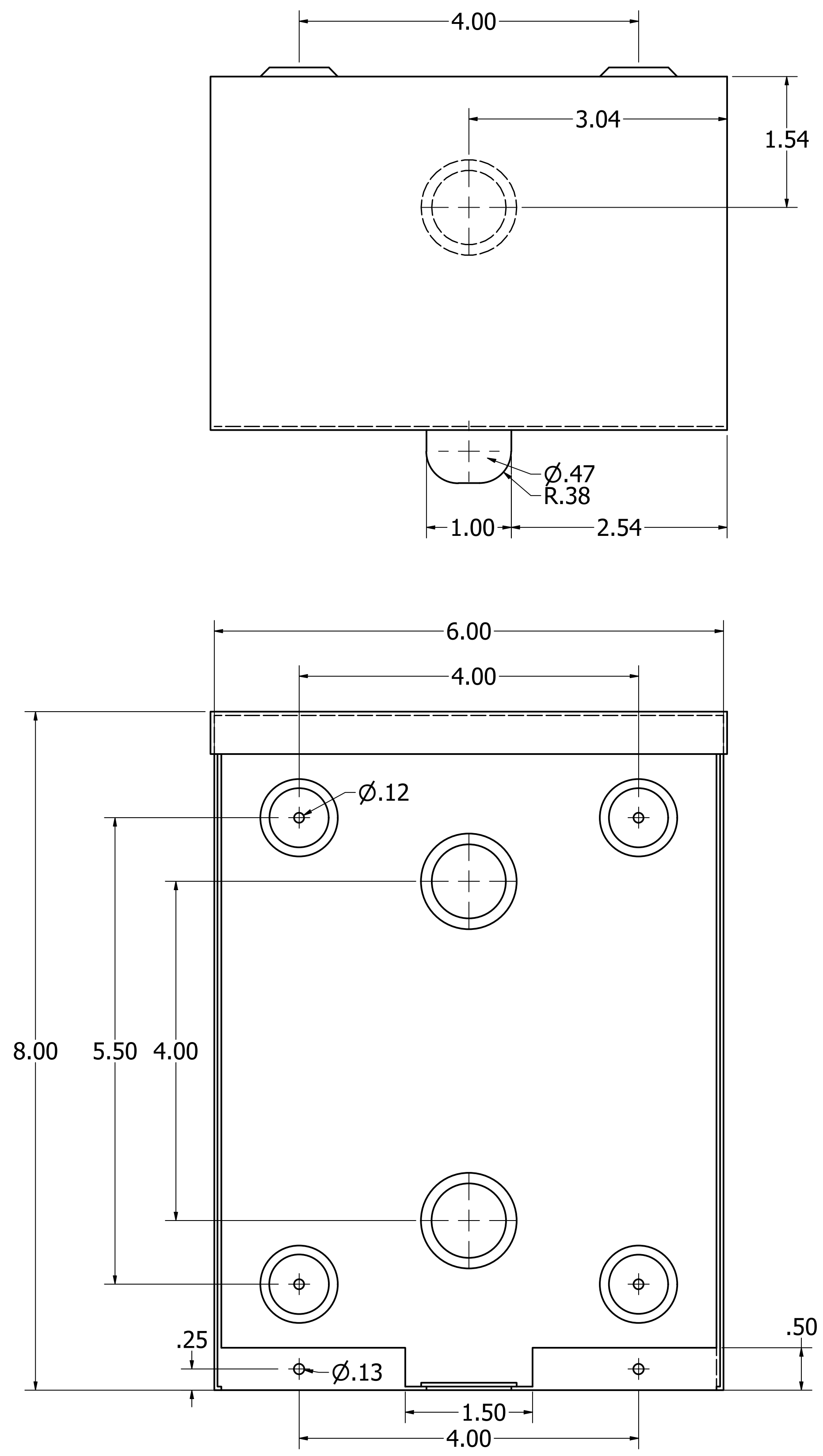
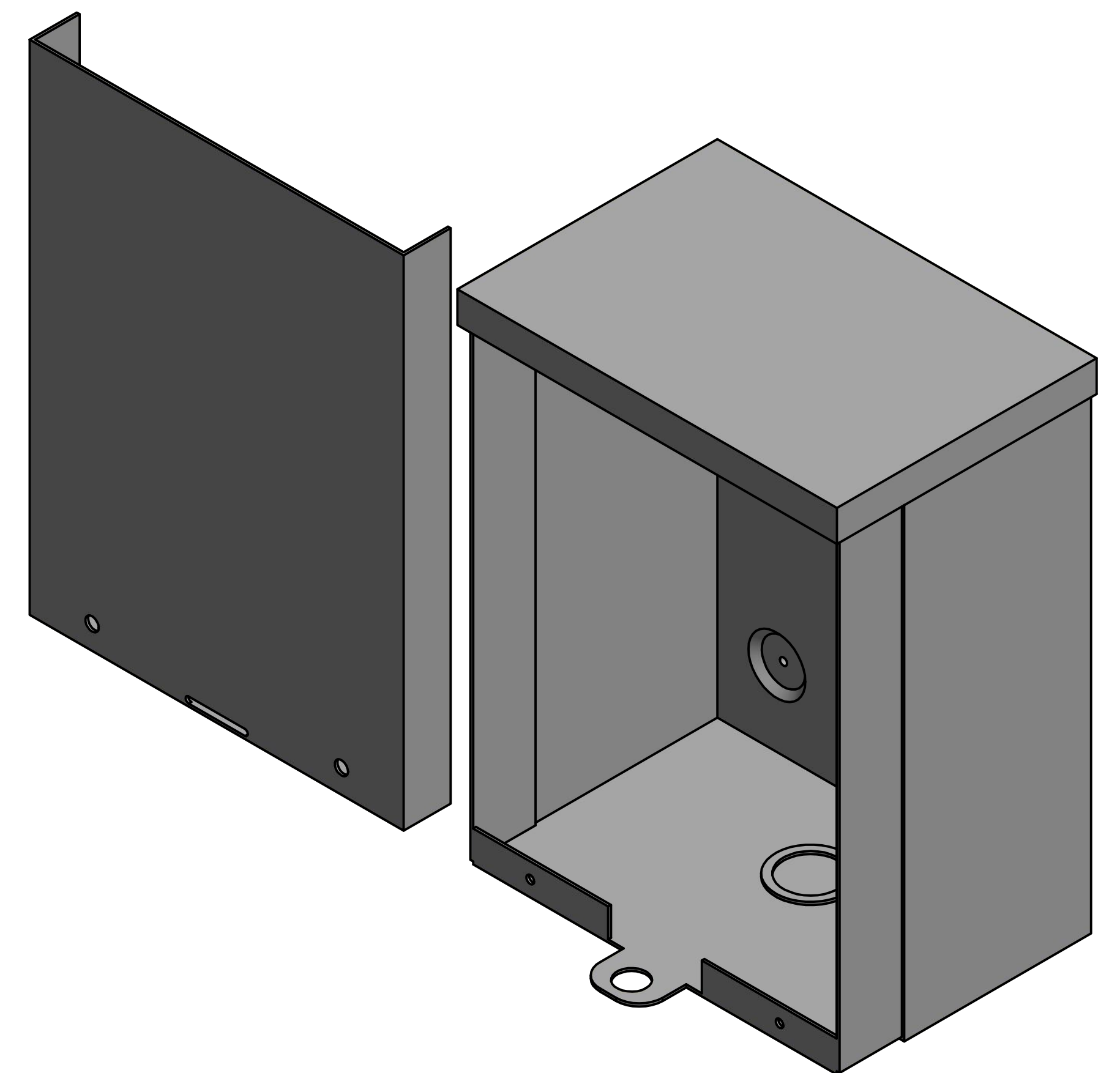


ALL UNITS IN INCHES UNLESS OTHERWISE STATED.

MAJOR KNOCK-OUT HAS $\varnothing 1.125$ INCHES.

MINOR KNOCK-OUT HAS $\varnothing 0.875$ INCHES.

HOUSING MADE USING 18 GAUGE GALVANIZED STEEL.



DRAWN Andrew Thompson	6/17/2019	Mier Products, Inc.	
CHECKED Brock Borden	3/4/2020	TITLE	
QA		bw-118 (MPO 2216)	
APPROVED		SIZE	DWG NO
		D	bw-118
		SCALE	SHEET 1 OF 1
		: 1	