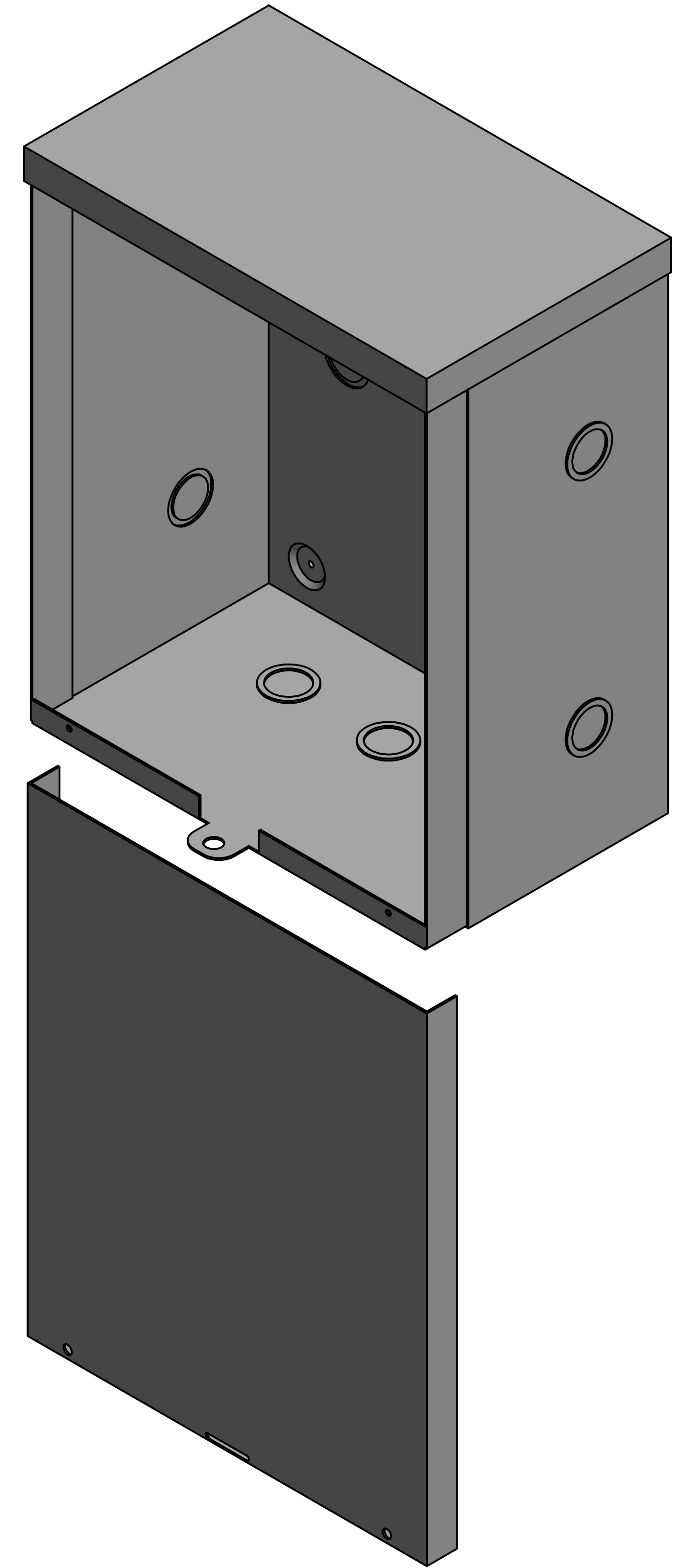


ALL UNITS IN INCHES UNLESS OTHERWISE STATED.

MAJOR KNOCK-OUT HAS $\varnothing 1.125$ INCHES.

MINOR KNOCK-OUT HAS $\varnothing .875$ INCHES.

HOUSING MADE USING 18 GAUGE GALVANIZED STEEL.



800-473-0213 | info@mierproducts.com | www.mierproducts.com



DRAWN Andrew Thompson	6/18/2019	Mier Products, Inc.	
CHECKED Brock Borden	3/5/2020	TITLE	
QA		bw-117 (MPO 2208)	
MFG		SIZE D	DWG NO bw-117
APPROVED		SCALE 2 : 3	REV
			SHEET 1 OF 1