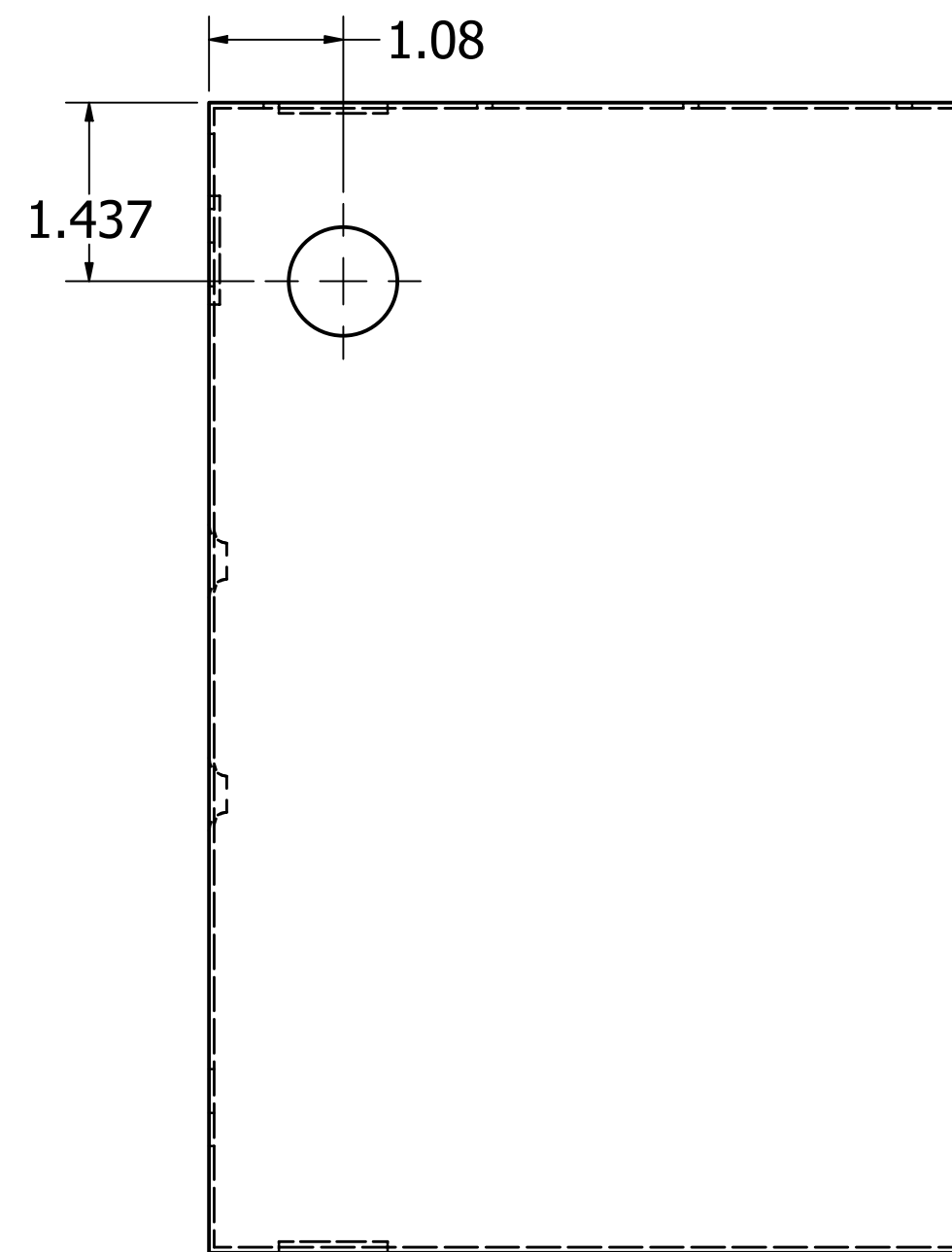
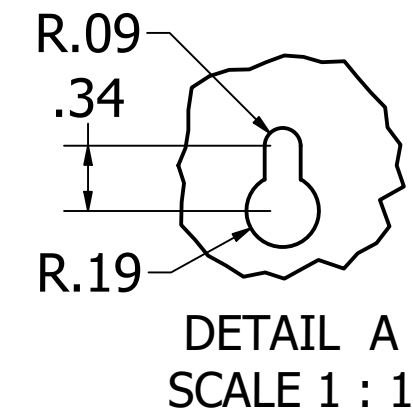
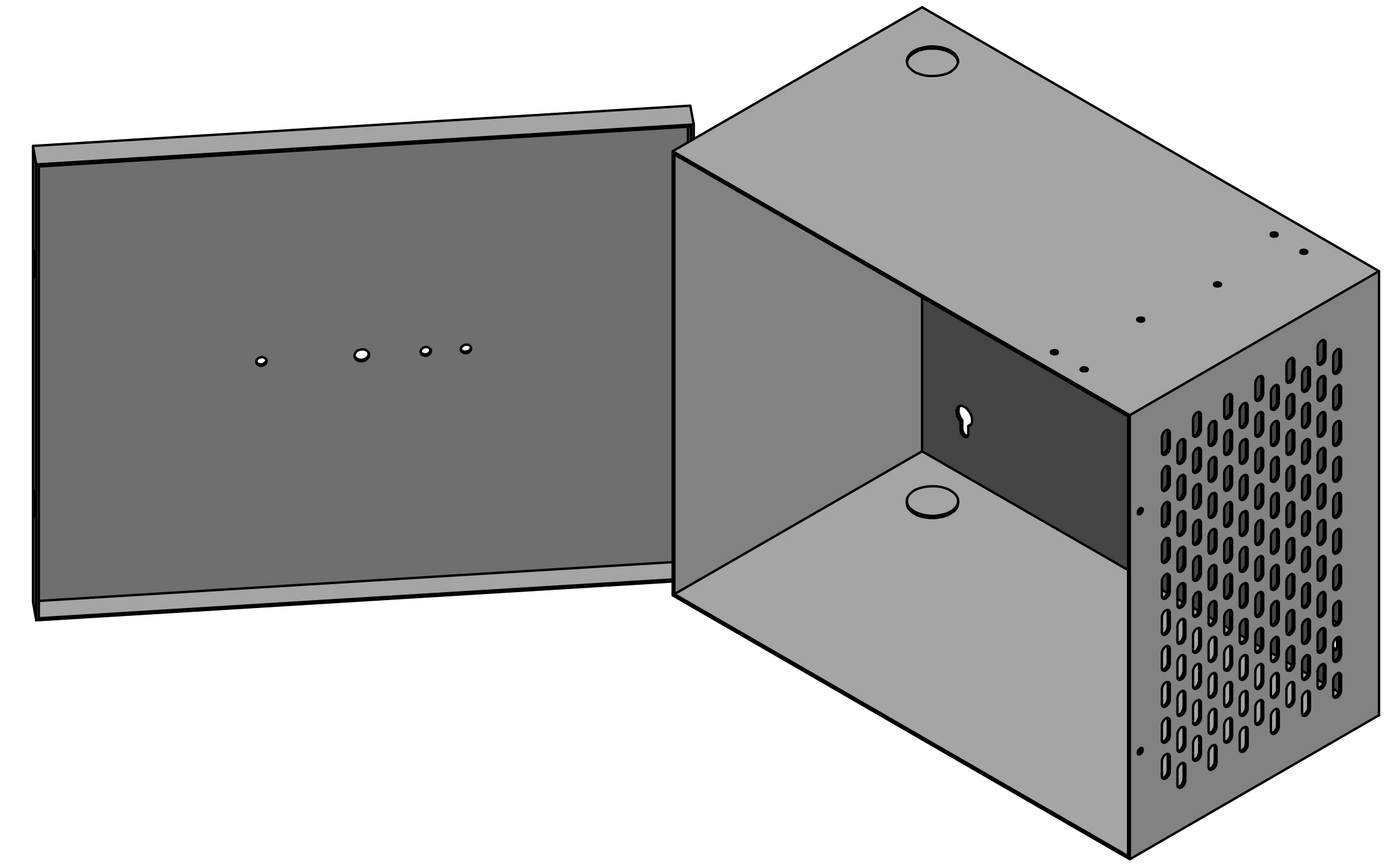
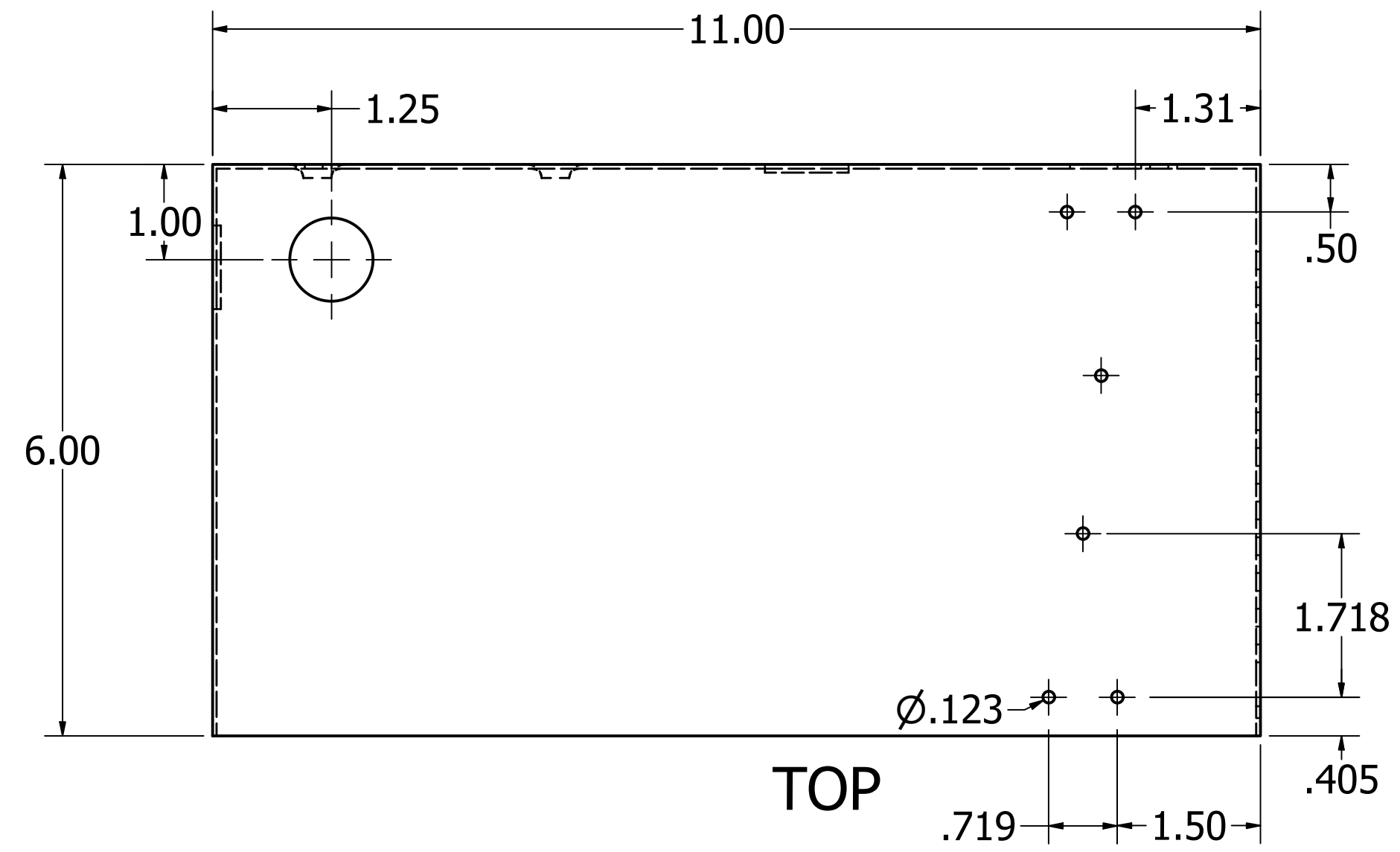


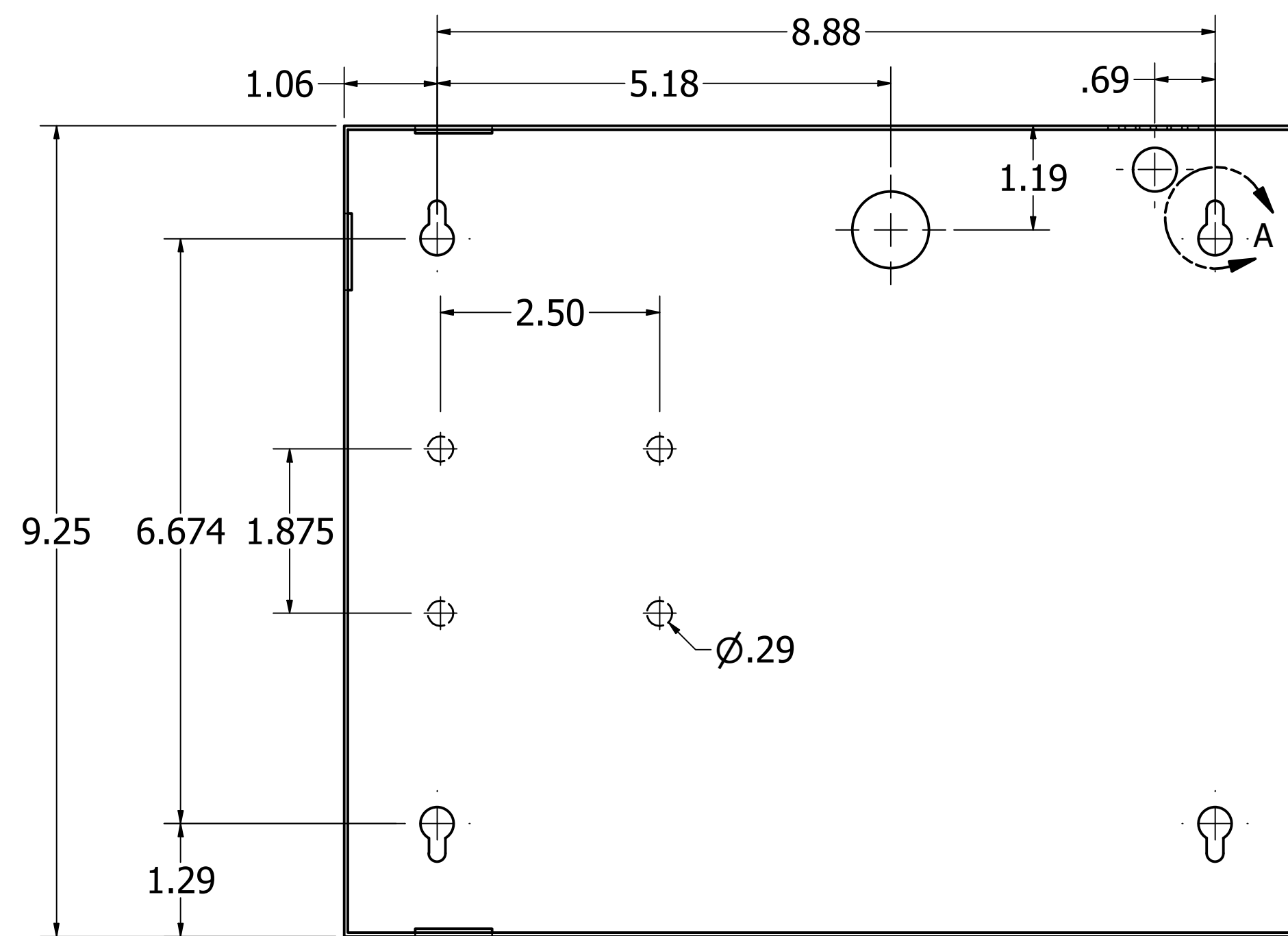
ALL UNITS IN INCHES UNLESS OTHERWISE STATED.

ALL KNOCK-OUTS HAVE \varnothing .875IN.

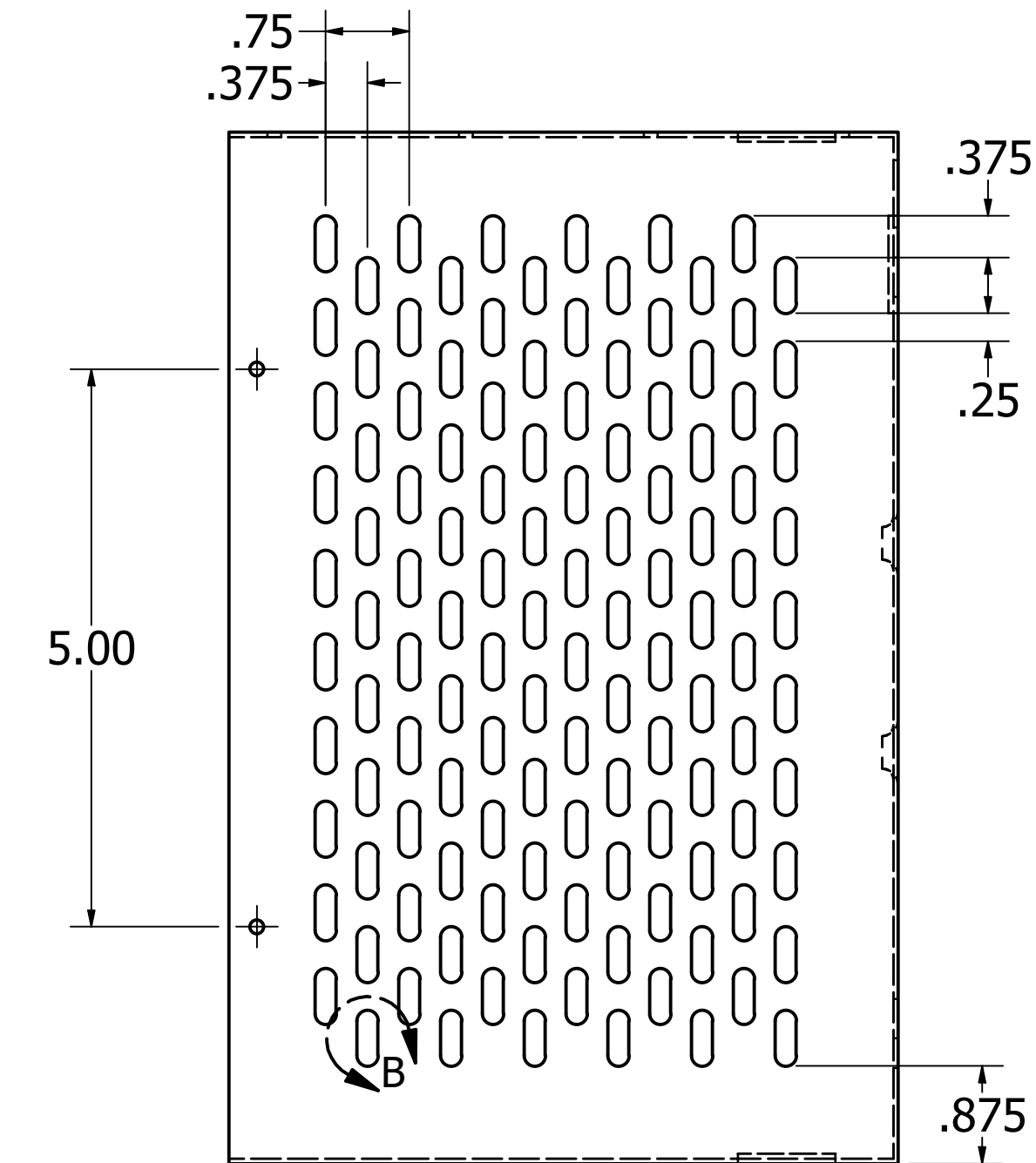
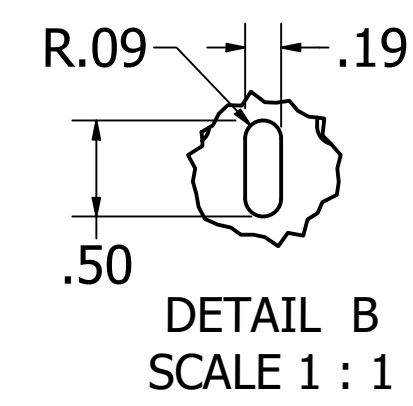
HOUSING MADE USING 19 GAUGE STEEL



LEFT



FRONT



RIGHT



800-473-0213 | info@mierproducts.com | www.mierproducts.com



DRAWN Andrew Thompson	5/29/2019	Mier Products, Inc.	
CHECKED Brock Borden	3/5/2020	TITLE	
QA		dw-114 (MPO 2194)	
APPROVED		SIZE D	DWG NO bw-114
		SCALE 2 : 3	REV
		SHEET 1 OF 1	