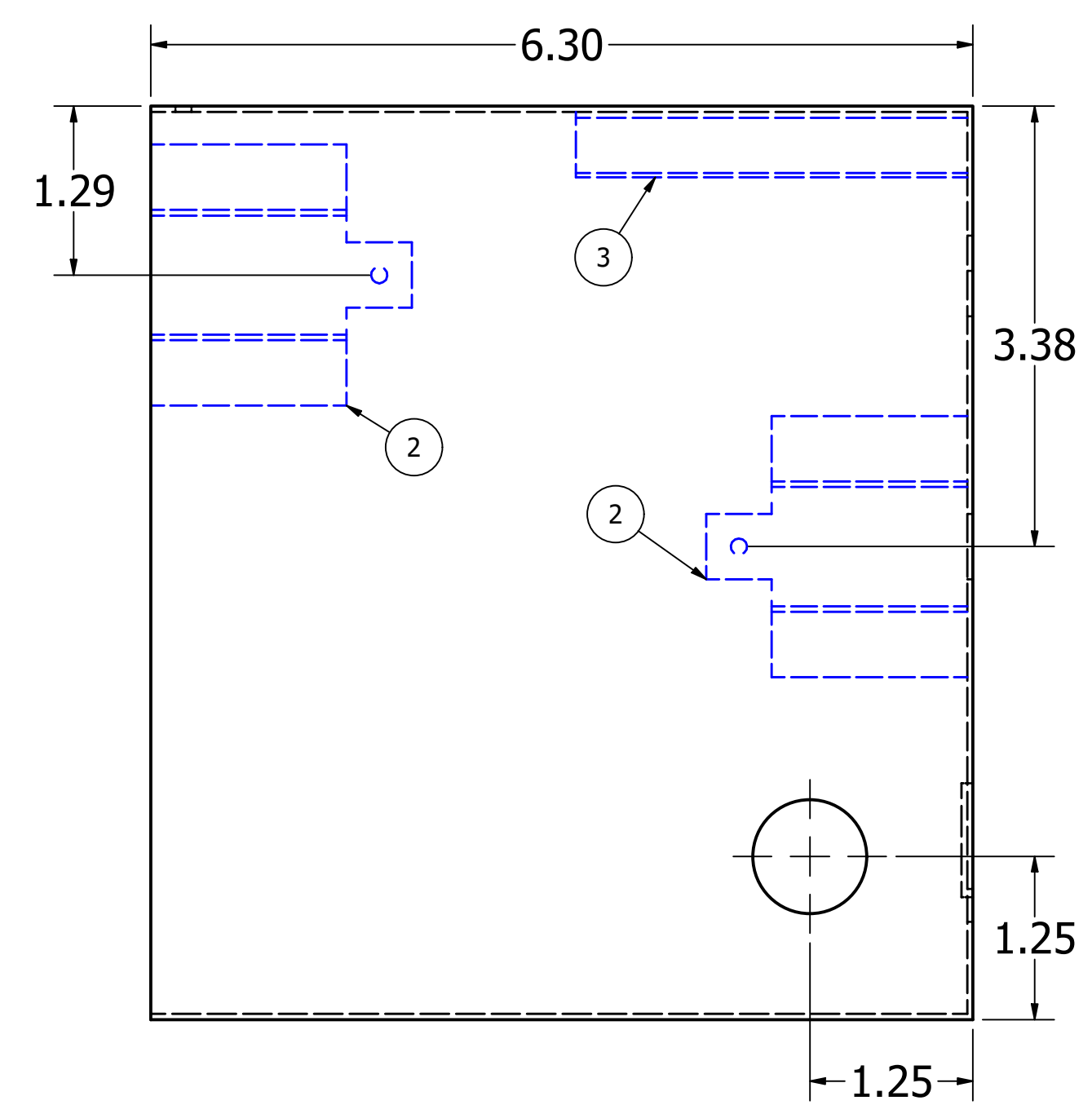
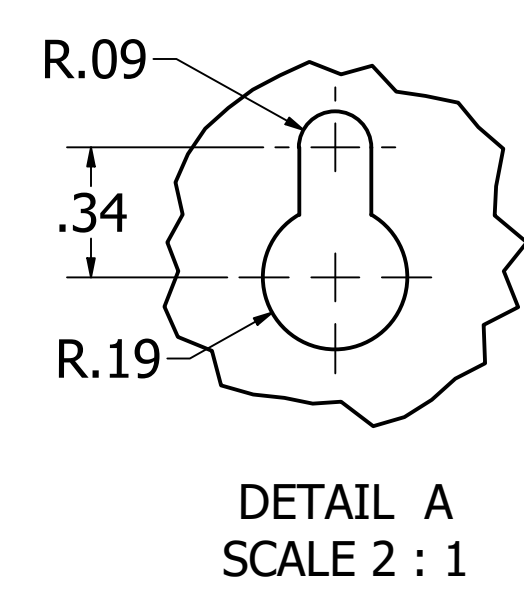
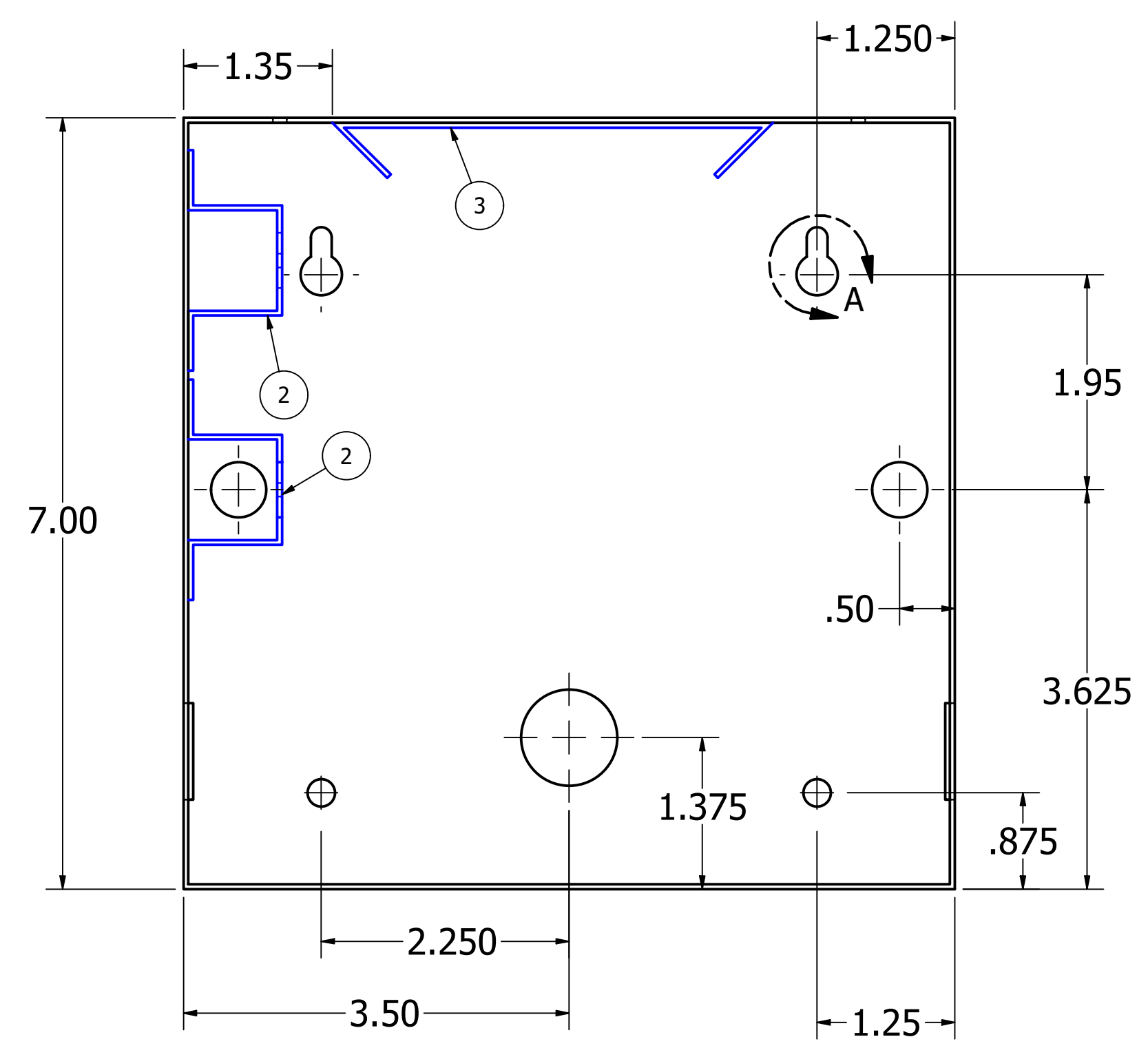
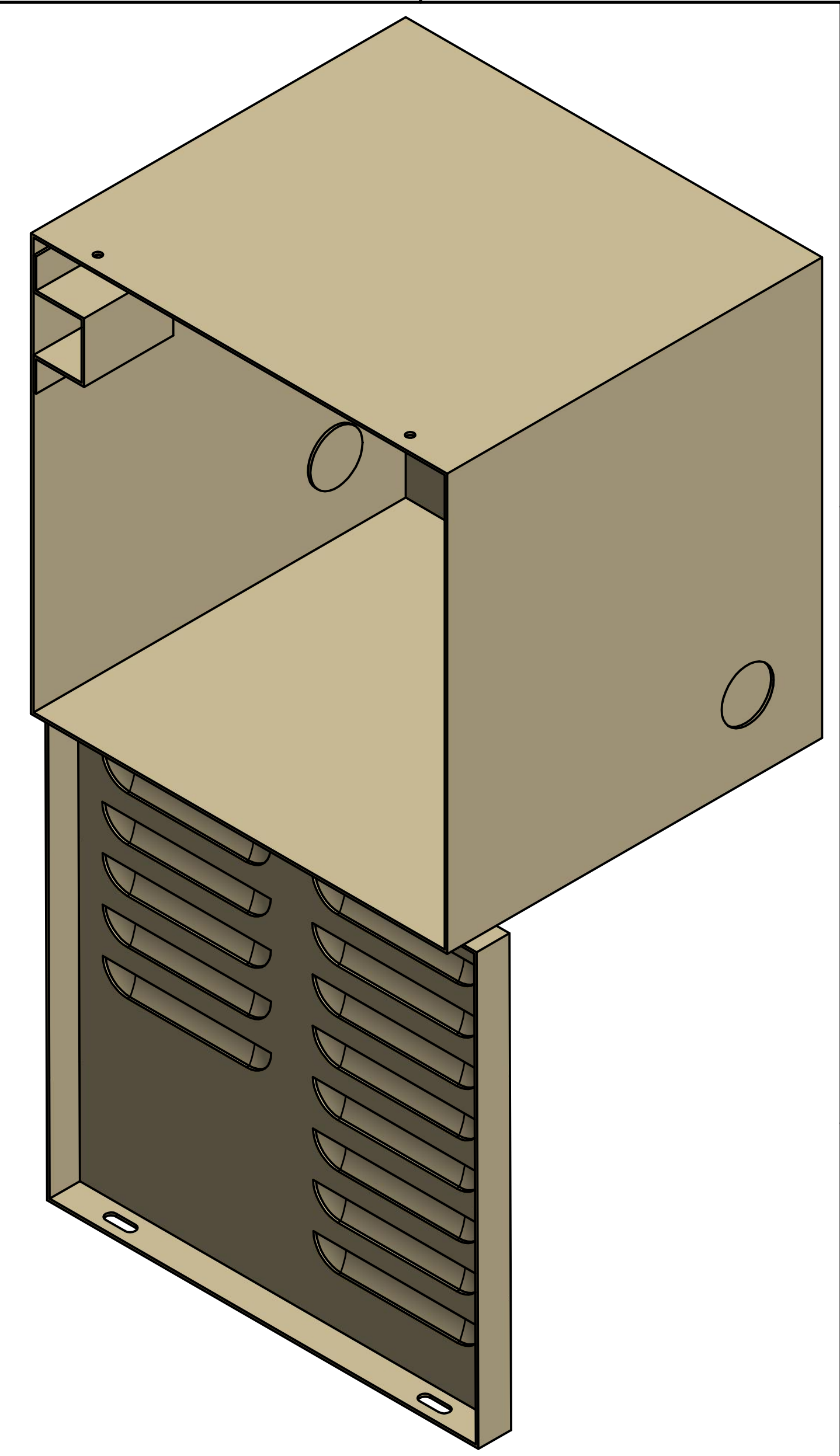


ALL UNITS IN INCHES UNLESS OTHERWISE STATED.

KNOCK-OUTS HAVE Ø.875 INCHES.

HOUSING MADE USING 19 GAUGE STEEL.



PARTS LIST - HIGHLIGHTED BY BLUE			
ITEM	QTY	PART NUMBER	DESCRIPTION
1	1	bw-113 box	
2	2	bw-115-116 bracket U	
3	1	top bracket	



DRAWN Andrew Thompson	6/25/2019	Mier Products, Inc.	
CHECKED Brock Borden	3/5/2020	TITLE	
QA		bw-113 (MPO 2100)	
MFG		SIZE	DWG NO
APPROVED		D	bw-113
		SCALE	5 : 6
			SHEET 1 OF 1