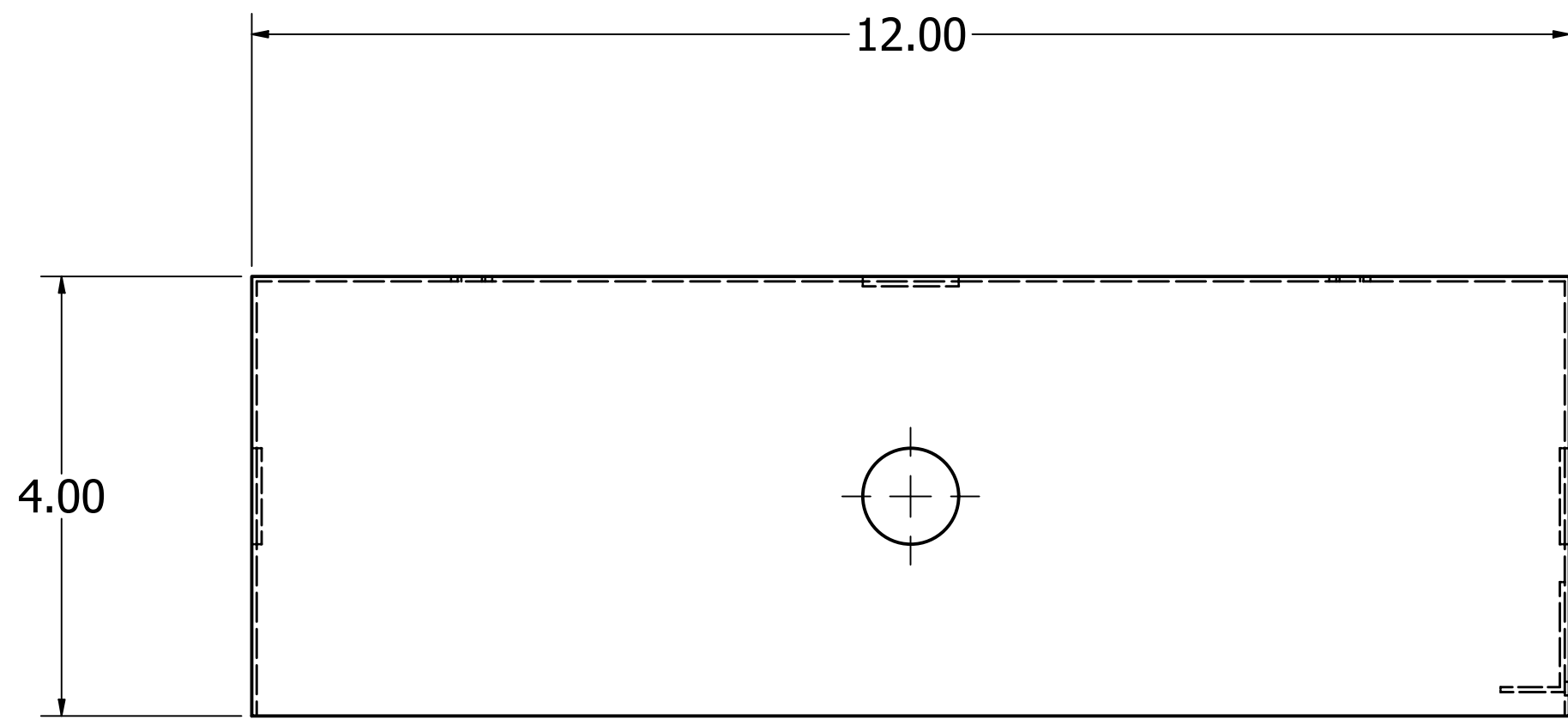


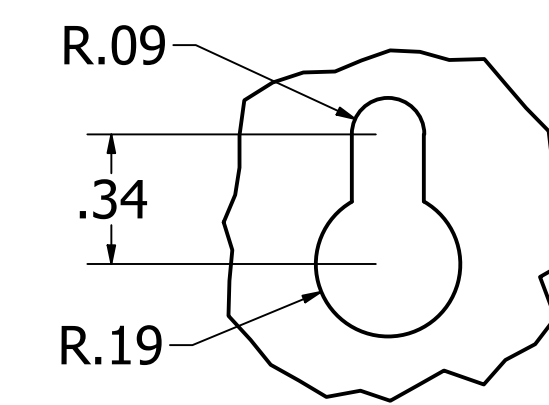
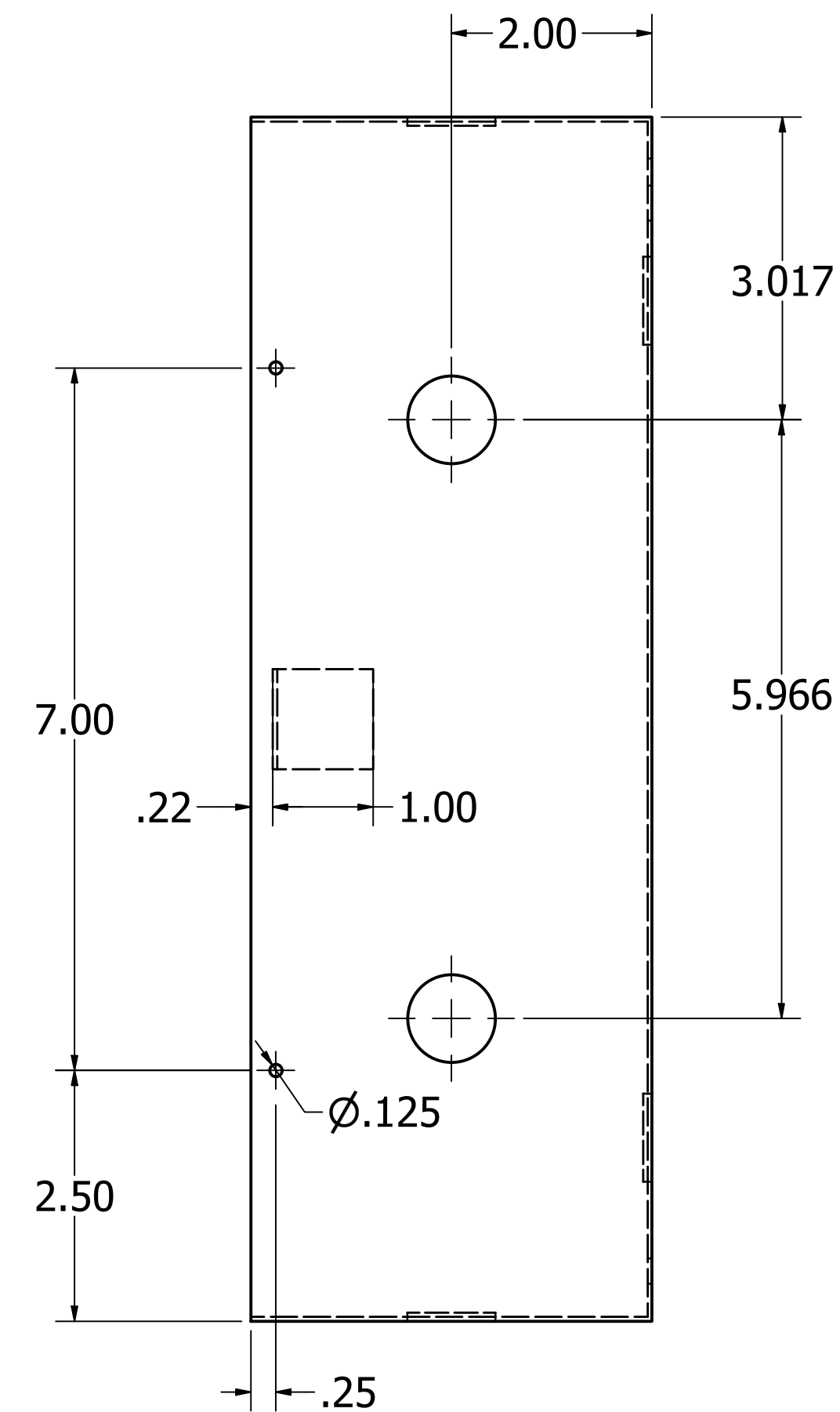
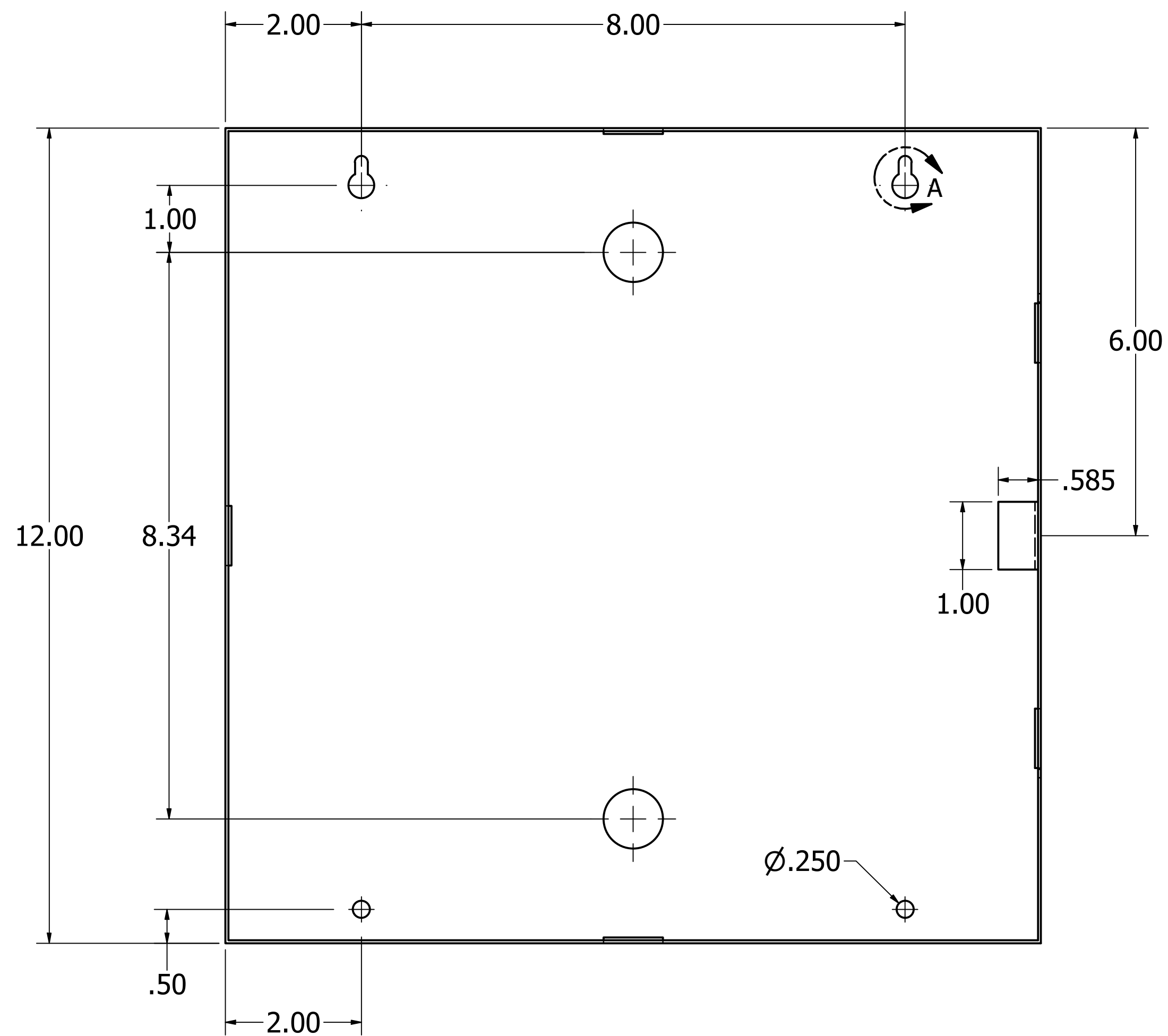
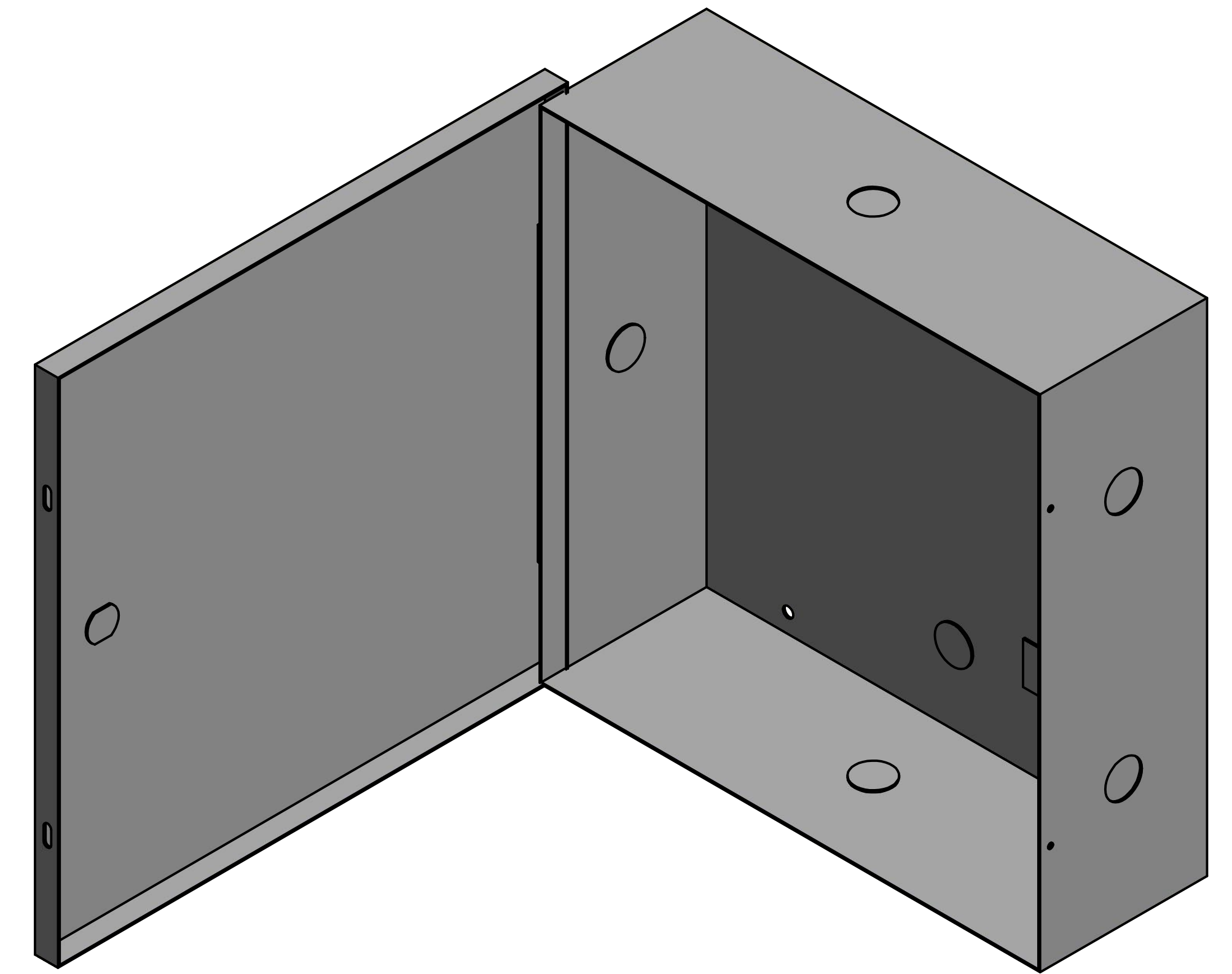
8 7 6 5 4 3 2 1



ALL UNITS IN INCHES UNLESS OTHERWISE STATED.

ALL KNOCK-OUTS HAVE $\varnothing.875$ IN.

HOUSING MADE USING 19 GAUGE STEEL.



DETAIL A
SCALE 2 : 1

NOTE: LEFT SIDE HAS ONE KNOCK-OUT, CENTER-FACED



800-473-0213 | info@mierproducts.com | www.mierproducts.com



| | | | |
|--------------------------|-----------|-----------------------|------------------|
| DRAWN Andrew Thompson | 5/28/2019 | Mier Products, Inc. | |
| CHECKED Brock Borden | 3/5/2020 | TITLE | |
| QA | | BW-106 box (MPO 2062) | |
| APPROVED | | SIZE D | DWG NO bw-106 |
| | | SCALE 2 : 3 | REV |
| | | | SHEET 1 OF 1 |

8 7 6 5 4 3 2 1