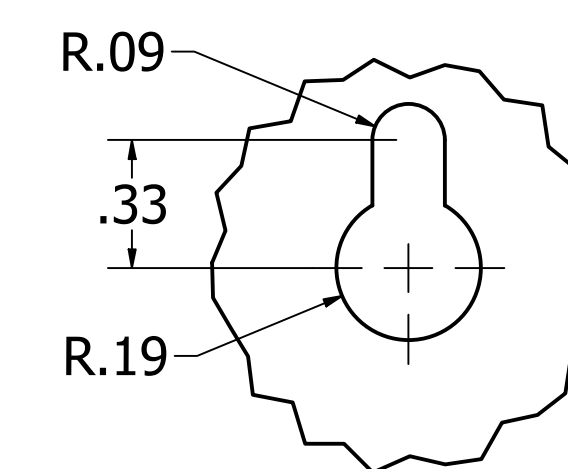
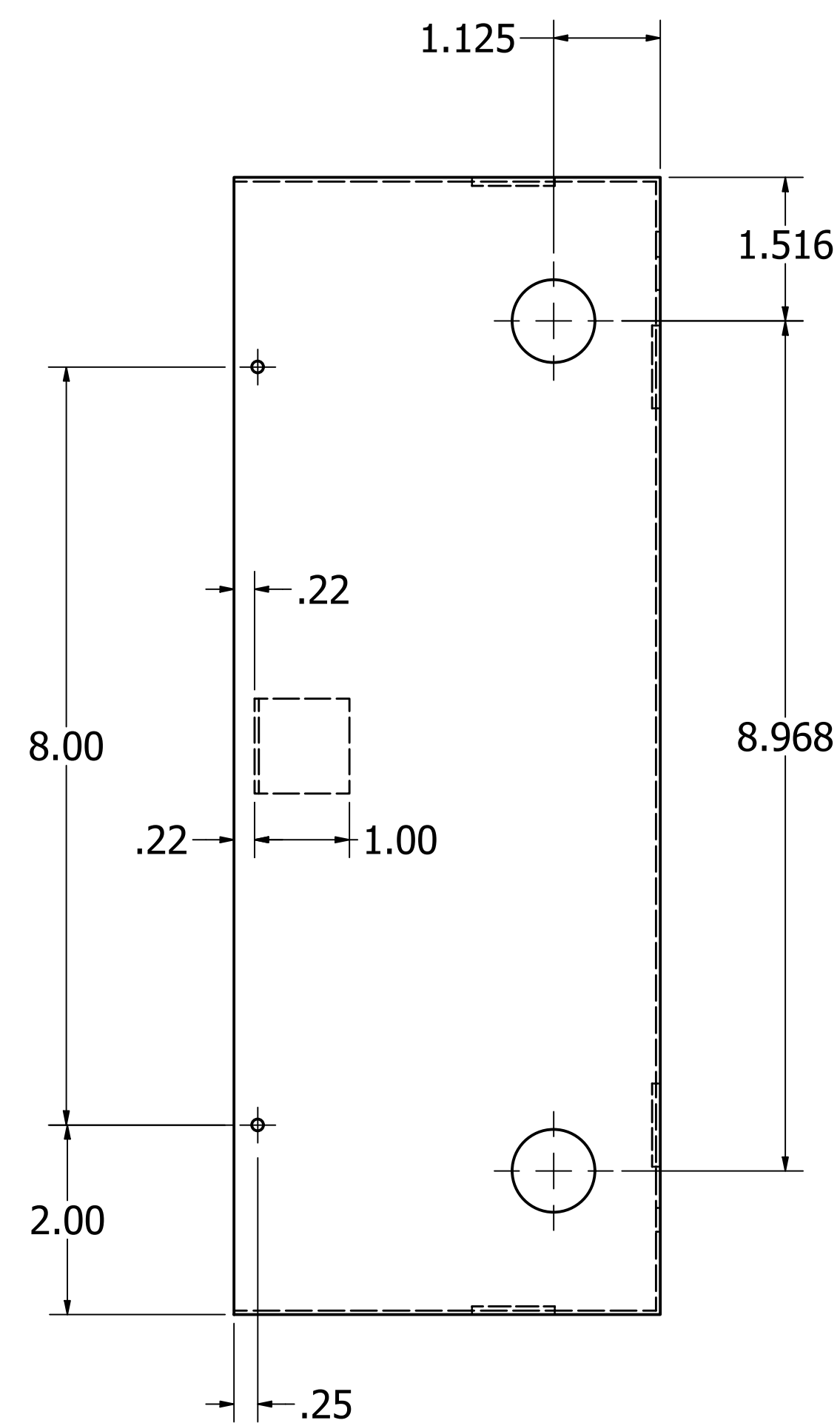
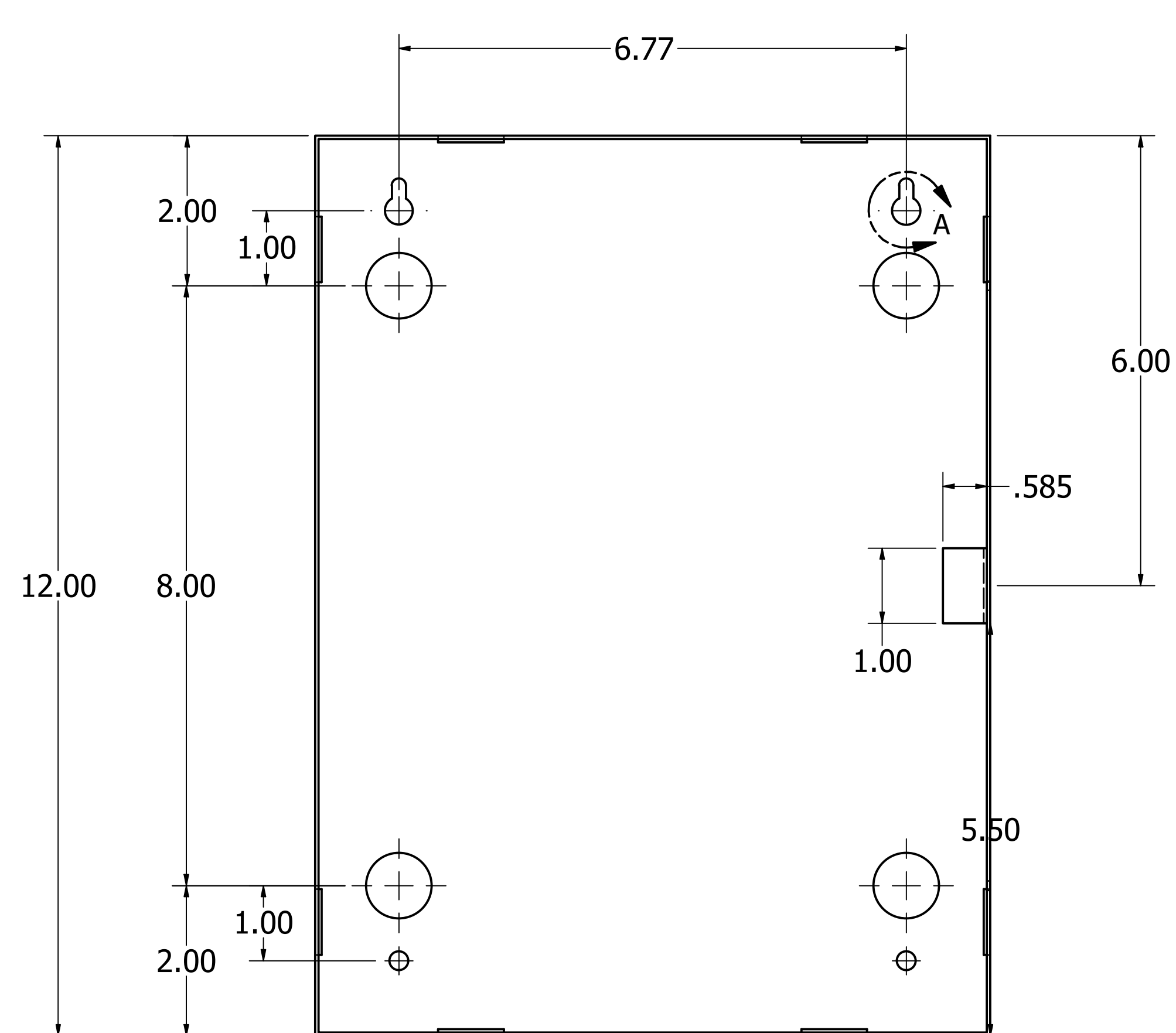
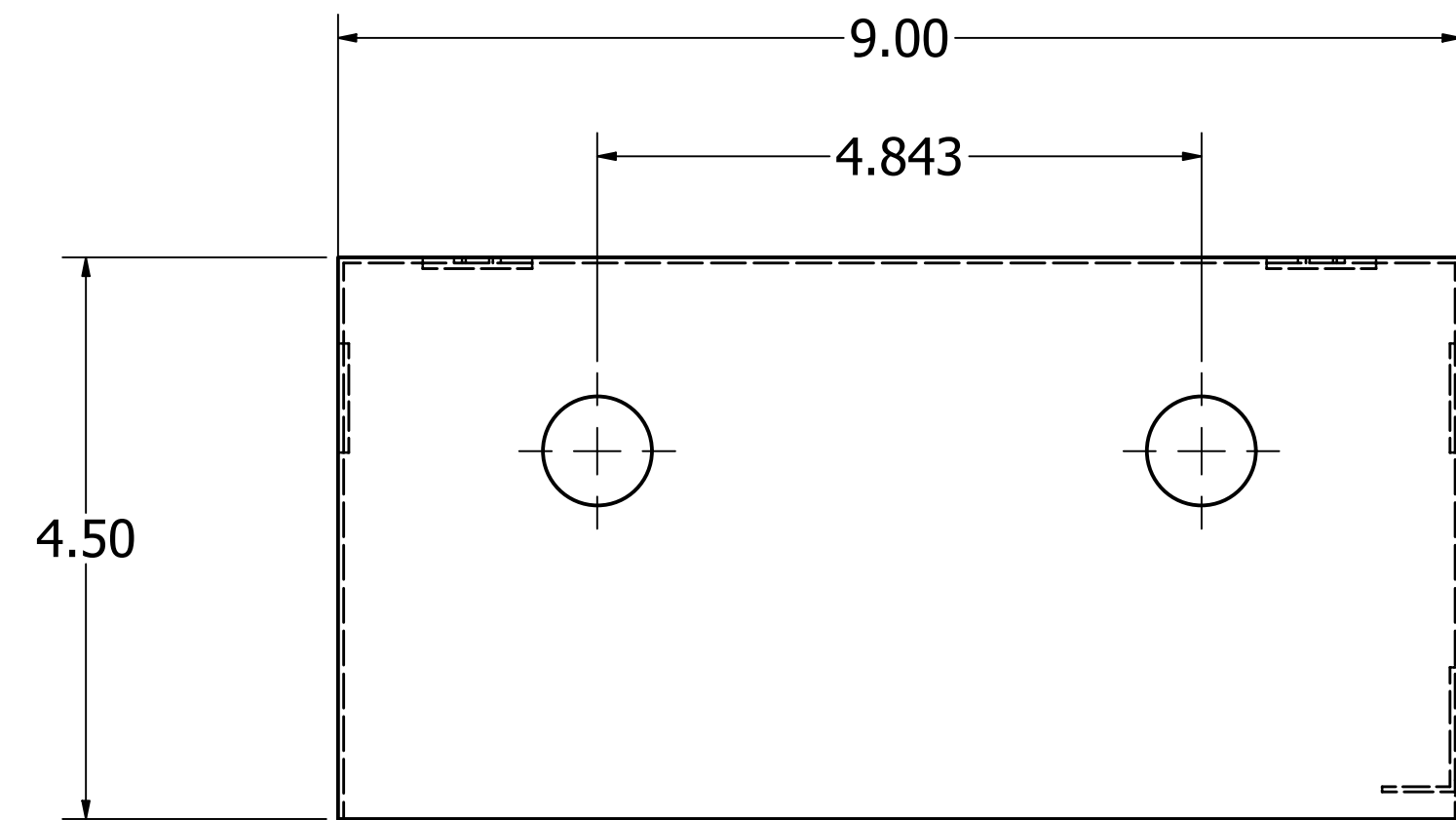


ALL UNITS IN INCHES UNLESS OTHERWISE STATED.

KNOCKOUTS HAVE \varnothing .875IN.

HOUSING MADE USING 19 GAUGE STEEL.



DETAIL A
SCALE 2 : 1



800-473-0213 | info@mierproducts.com | www.mierproducts.com



DRAWN Andrew Thompson	6/6/2019	Mier Products, Inc.	
CHECKED Brock Borden	3/5/2020	TITLE	
QA		BW-104 (MPO 2054)	
APPROVED		SIZE D	DWG NO bw-104 (MPO 2054)
		SCALE 2 : 3	REV
		SHEET 1 OF 1	