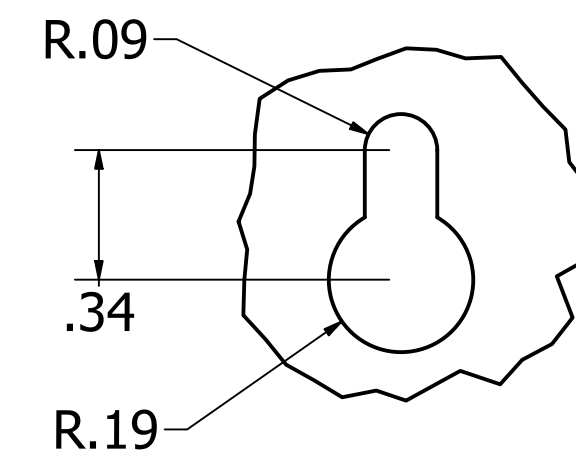
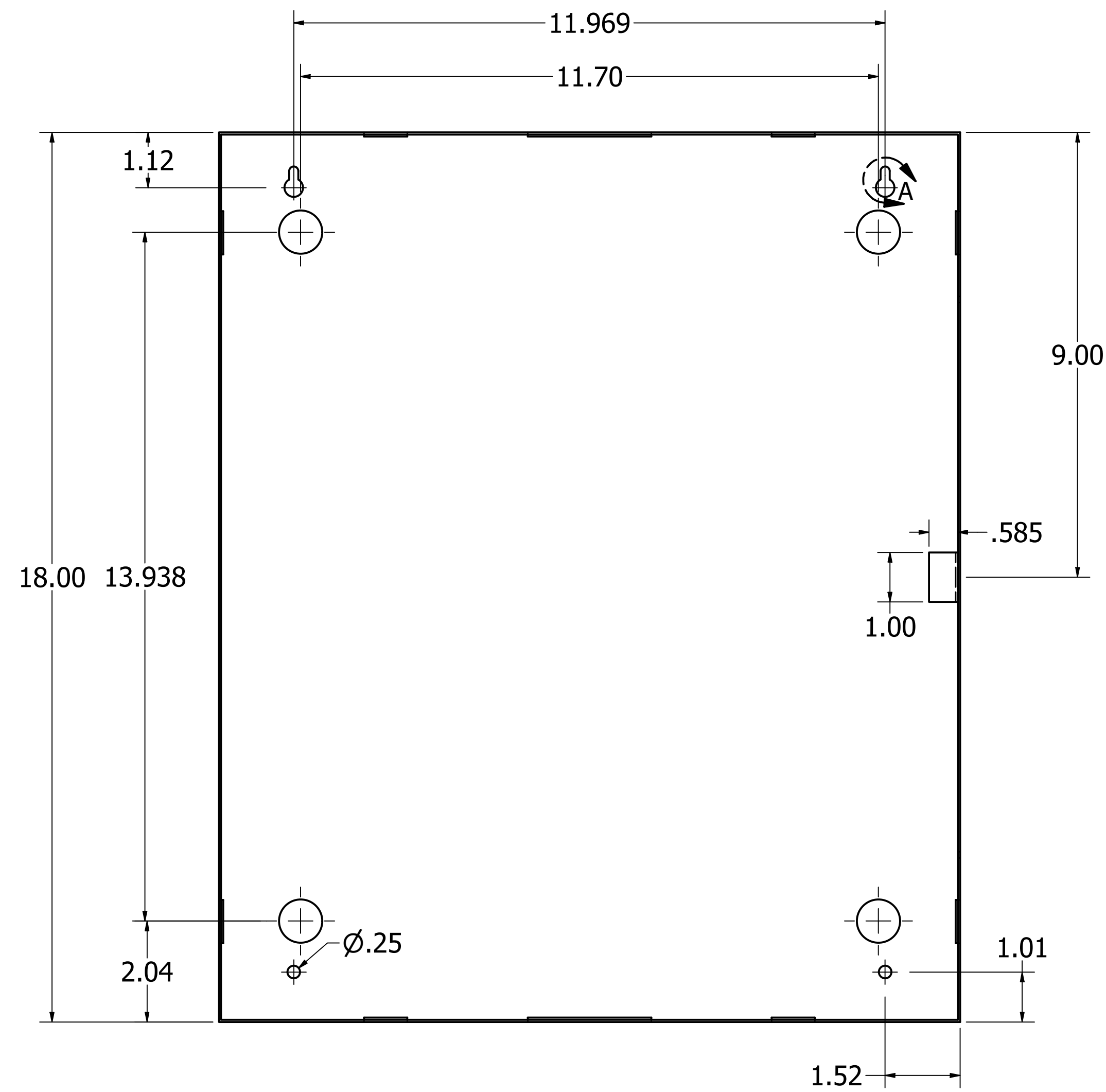
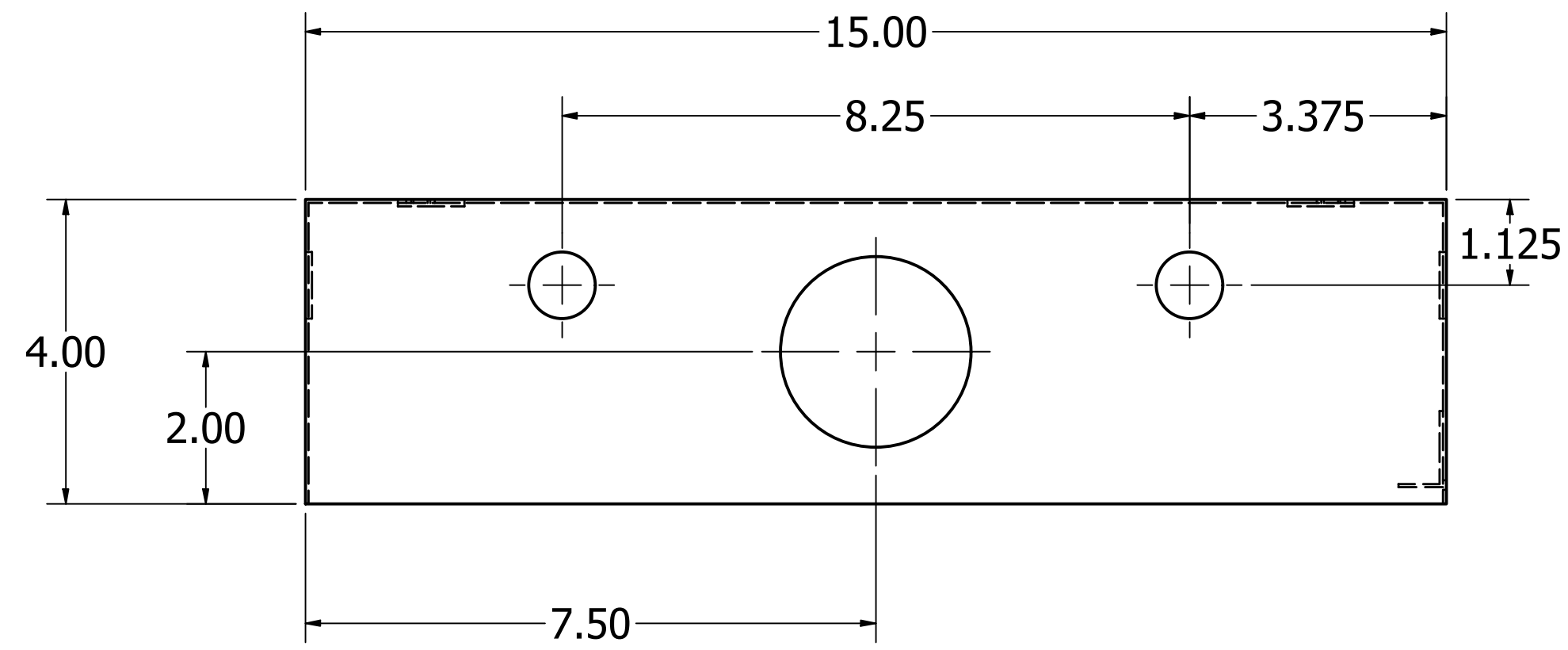


ALL UNITS IN INCHES UNLESS OTHERWISE STATED.

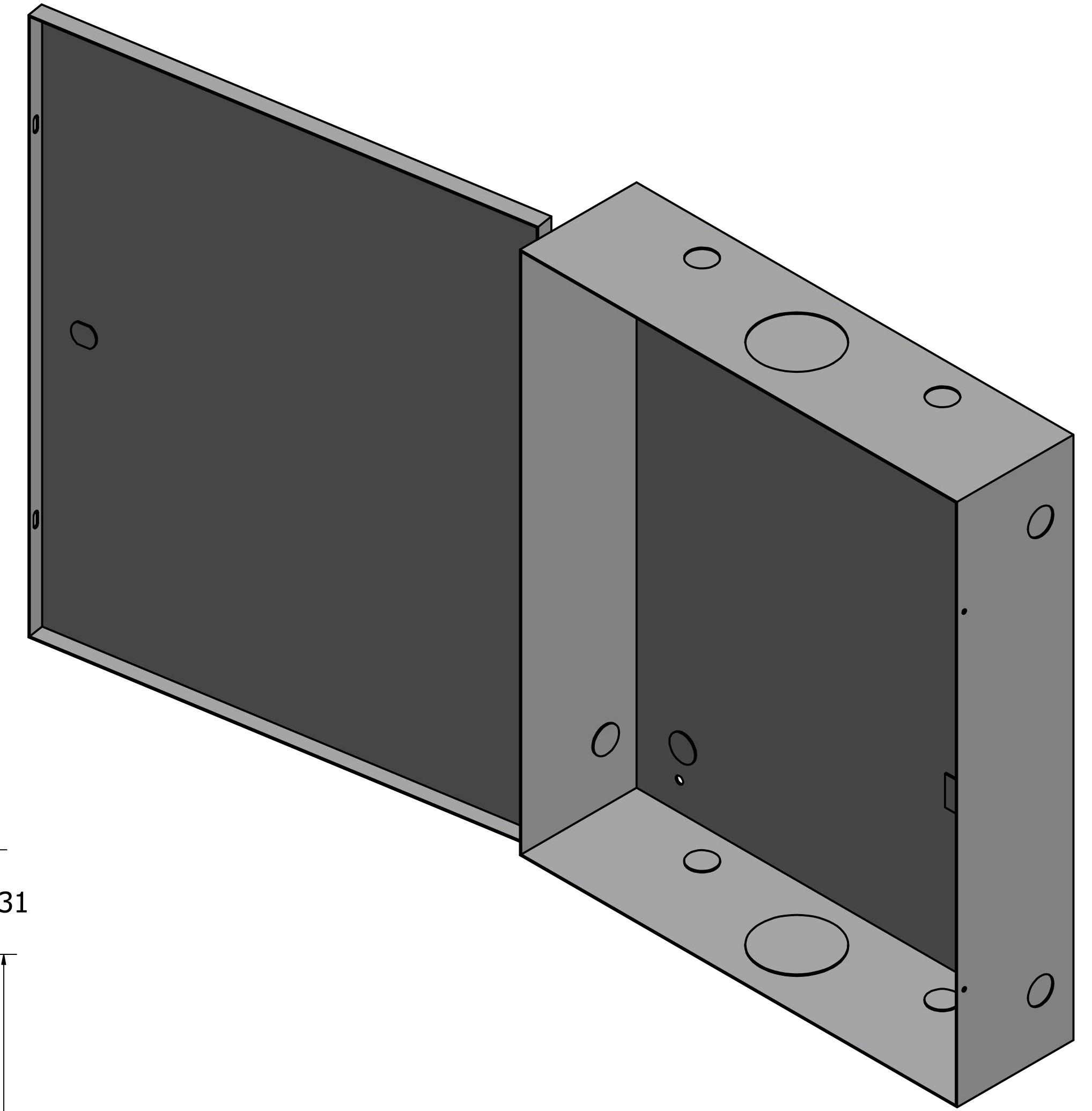
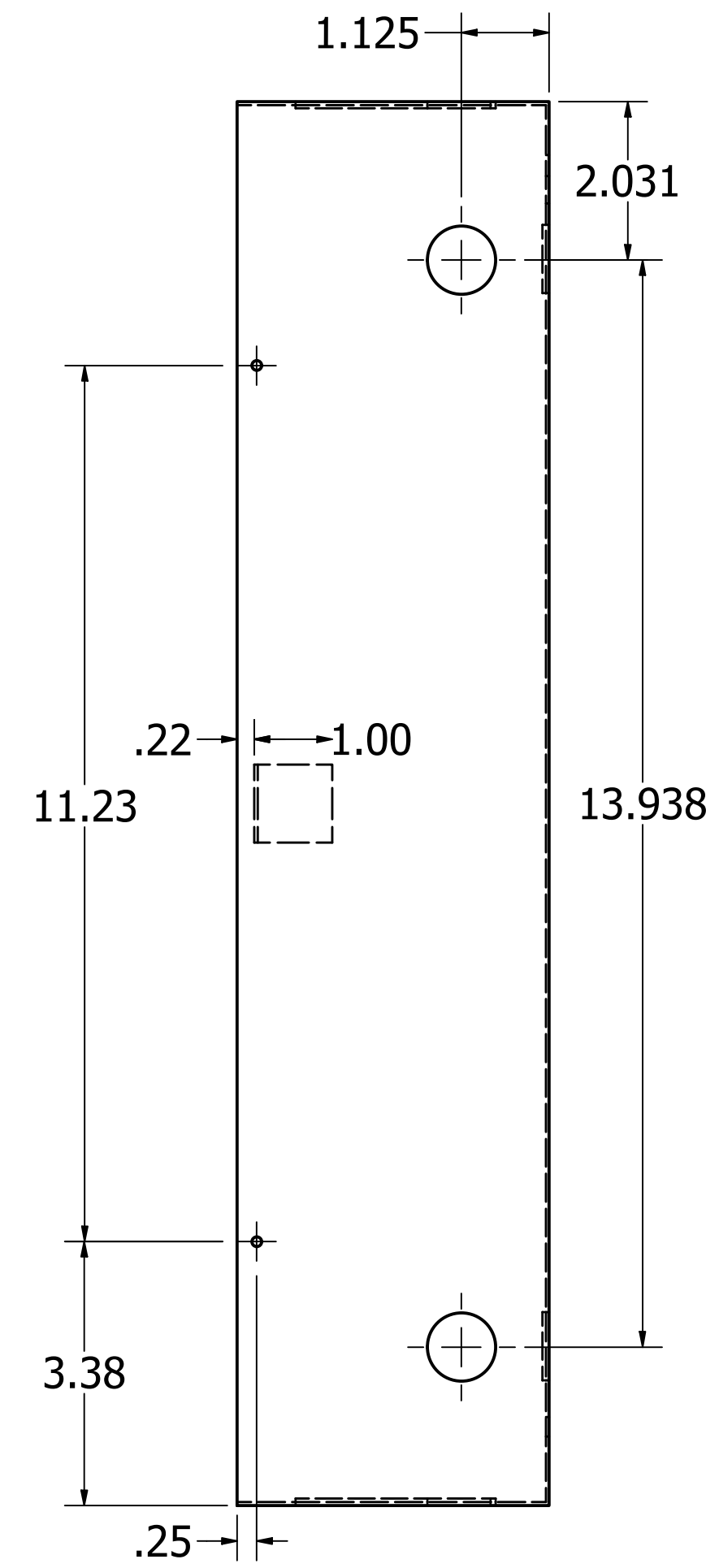
MINOR KNOCK-OUT $\varnothing 0.875$

MAJOR KNOCK-OUT $\varnothing 2.5$

HOUSING MADE USING 19 GAUGE STEEL.



DETAIL A
SCALE 2 : 1



800-473-0213 | info@mierproducts.com | www.mierproducts.com



DRAWN Brock Borden	3/5/2020	Mier Products, Inc.	
CHECKED		TITLE	
QA		BW-101	
MFG		SIZE D	DWG NO bw-101
APPROVED		SCALE 1/2	REV
		SHEET 1 OF 1	