

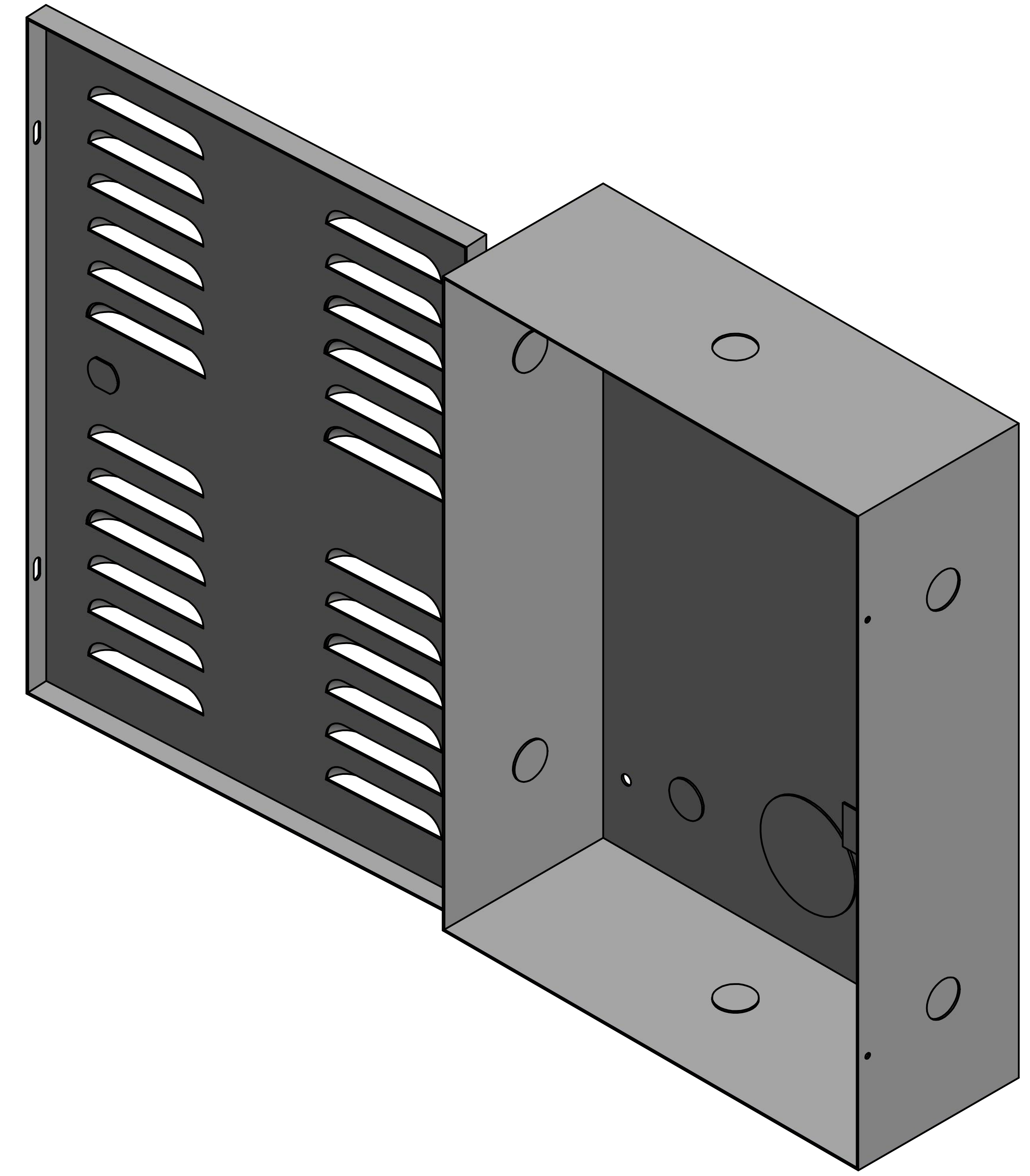
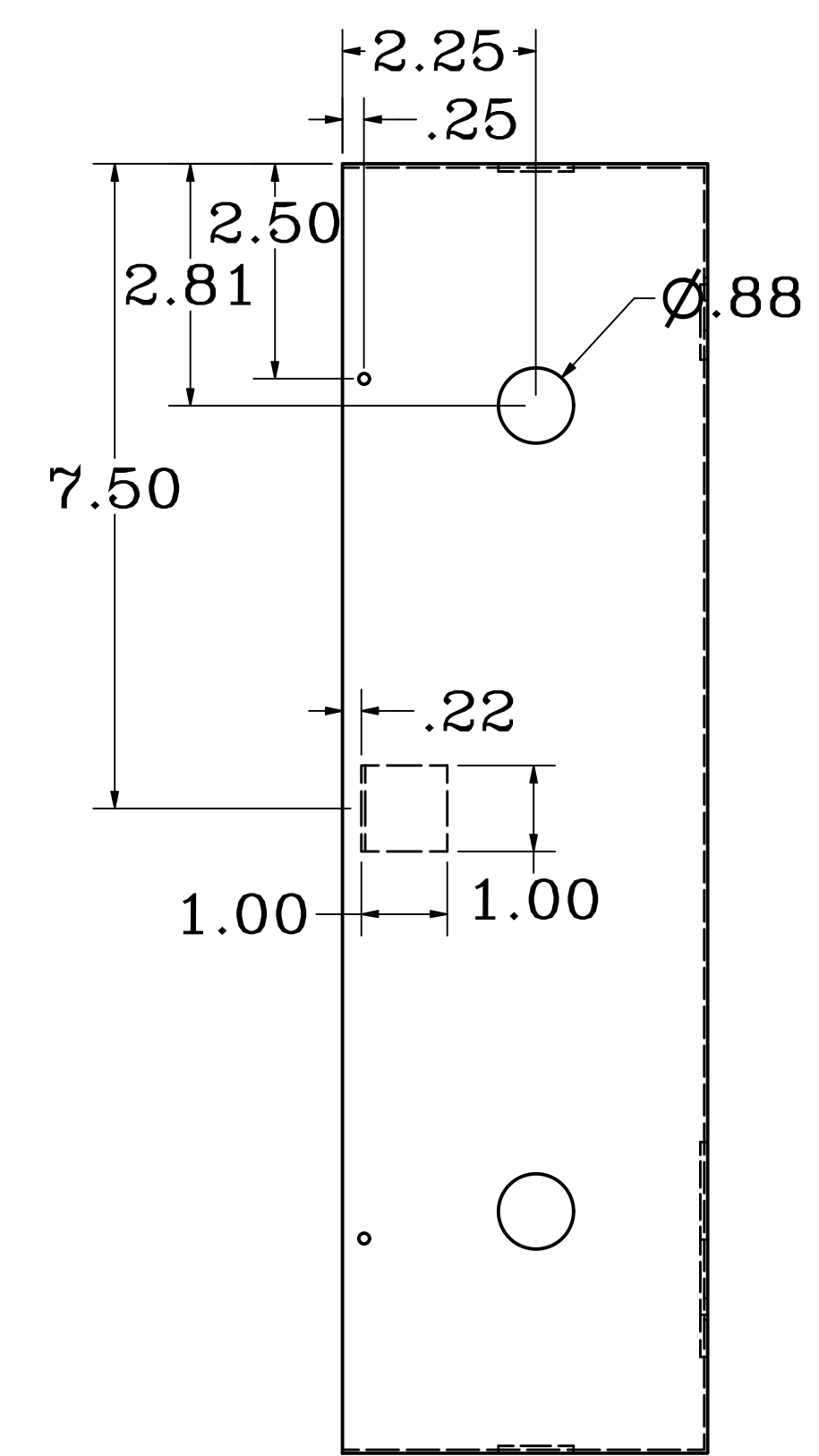
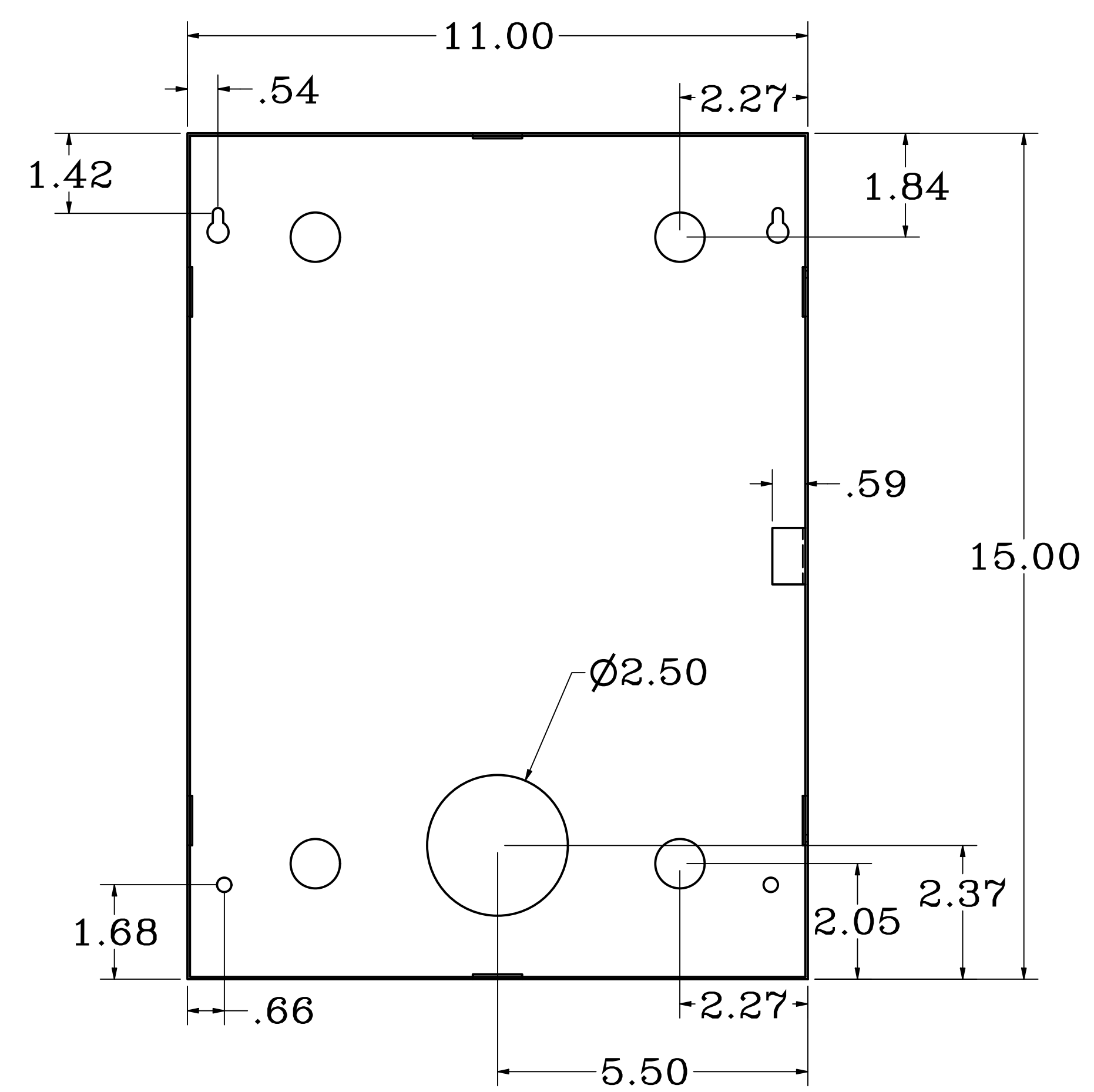
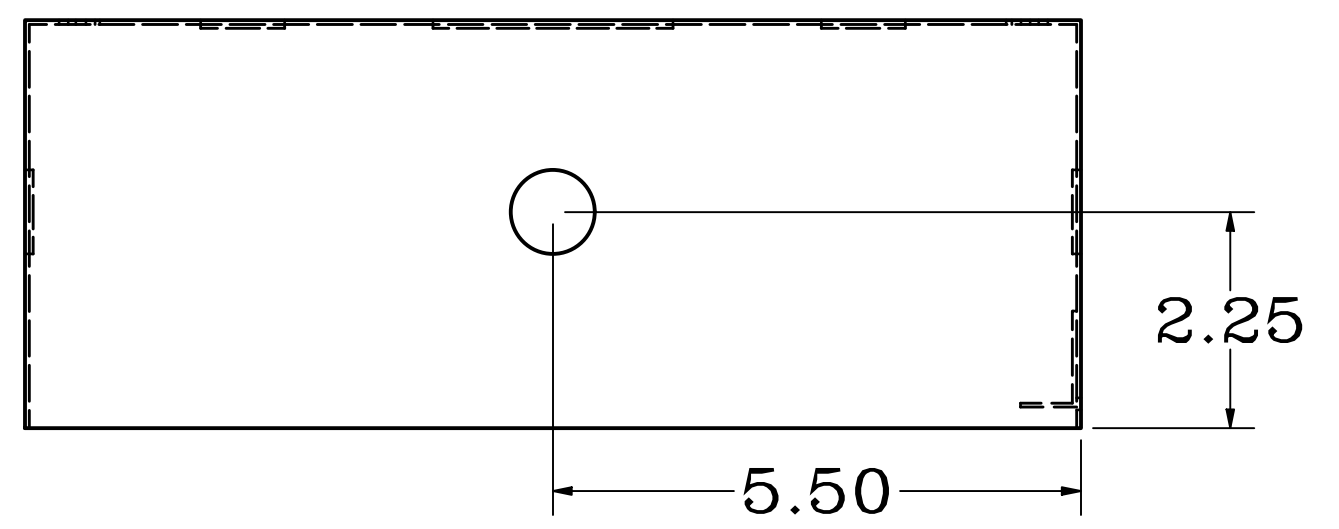
8 | 7 | 6 | 5 | 4 | 3 | 2 | 1

ALL UNITS IN INCHES UNLESS OTHERWISE STATED.

MINOR KNOCK-OUT \varnothing .875

MAJOR KNOCK-OUT \varnothing 2.5

HOUSING MADE USING 19 GAUGE STEEL.



800-473-0213 | info@mierproducts.com | www.mierproducts.com



DRAWN Brock Borden	3/5/2020	Mier Products	
CHECKED		TITLE	
QA		BW-100	
MFG		SIZE D	DWG NO bw-100
APPROVED		SCALE 1/2	REV
		SHEET 1	OF 1

8 | 7 | 6 | 5 | 4 | 3 | 2 | 1