



DA-655
now with *new* Chime with Volume Control and Tone Select



Residential



Drive-Up Window

The DA-655 Chime is a now three-wire device that can be used as an optional accessory for the Mier Products DA-500, DA-600 and DA-605 Drive-Alert vehicle detection systems.

(Note: the DA-655 is not compatible with the DA-100 Drive-Alert)

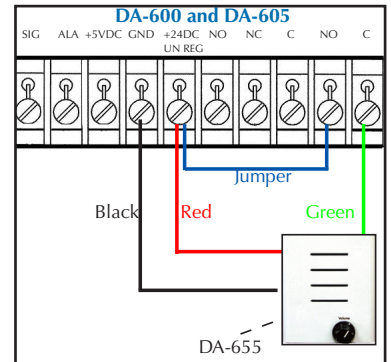
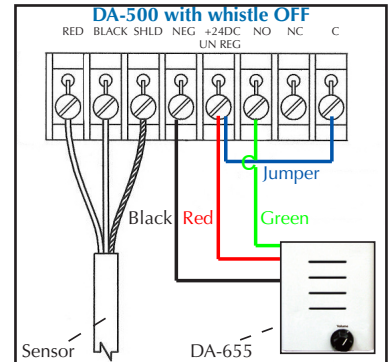
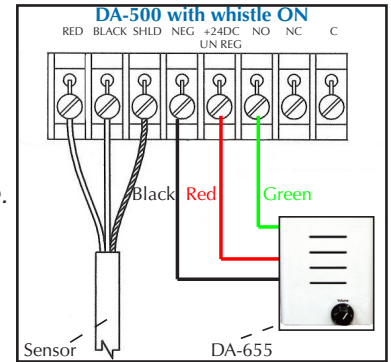
When wired to a Drive-Alert control panel, the DA-655 will sound a chime each time your Drive-Alert detects a vehicle, or equipment, or an asset moving. The DA-655 has volume control and an off position.

Beginning in mid-2018, Mier added a new *tone selection slide switch* on the side of the DA-655, allowing users to easily choose from three (3) different alert tones.

Easy Installation

NOTE: if you have an older model DA-655 with four or two wires, call tech support for assistance.

1. Remove the two #6 sheet metal screws from the side of the DA-655 and pull the cover off.
2. Mount the base of the DA-655 Chime where you want to hear the chime, and where there is easy access to the volume/on-off knob. The DA-655 comes with 10 feet of cable, but longer lengths up to 50 feet may be used. The DA-655 base has holes to mount the unit to a standard "rough-in" box or directly to a wall.
3. Reassemble the cover to the mounted base.
4. IMPORTANT: Make certain your DA-500, DA-600, or DA-605 Drive-Alert is unplugged.
5. Connect the 3-conductor wire to the Drive-Alert panel as shown in the illustrations to the right. *If you have an older DA-600 or DA-605 with only 8 terminals, call tech support for assistance.*
6. IMPORTANT: if using a DA-500, turn the WHISTLE SWITCH to the proper position, as shown in the top two illustrations on the right, before applying power.
7. Plug your DA-500, DA-600 or DA-605 Drive-Alert into a 115 VAC outlet.
8. Test the system by tripping the Drive-Alert with either a vehicle drive-by test, or using a manual technique as described in the Drive-Alert instruction manual.



For installation or technical assistance, please call us at 800-473-0213 or email info@mierproducts.com

DA-500



DA-100



DA-600



DA-605P

