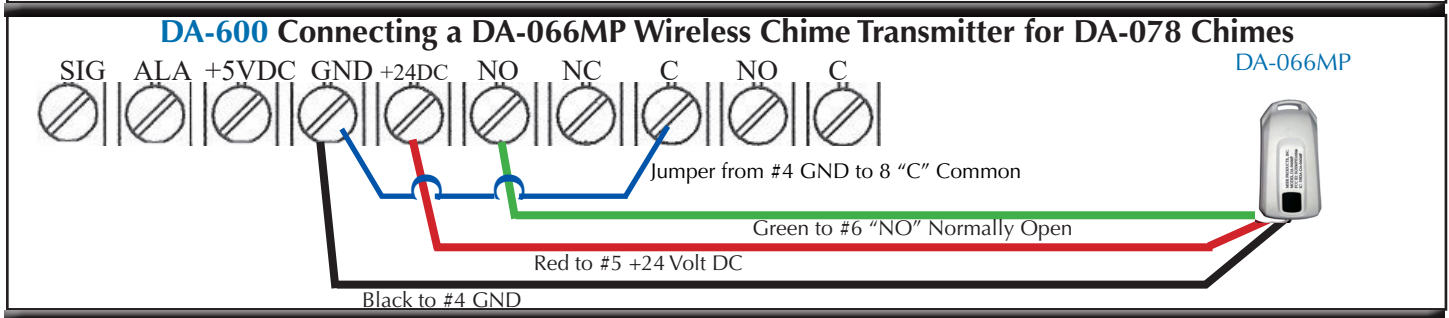
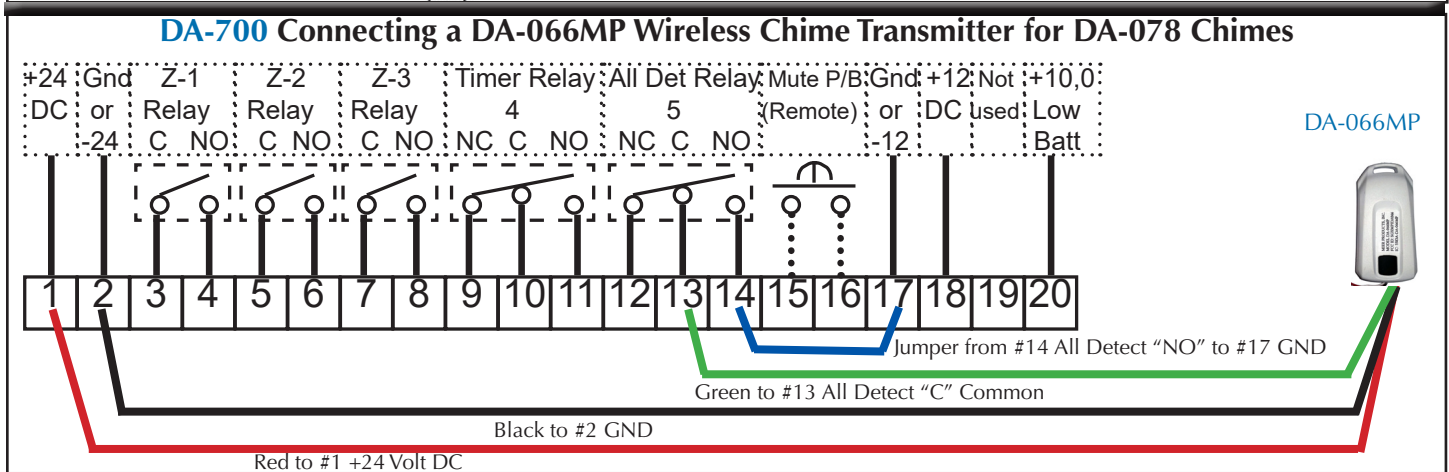
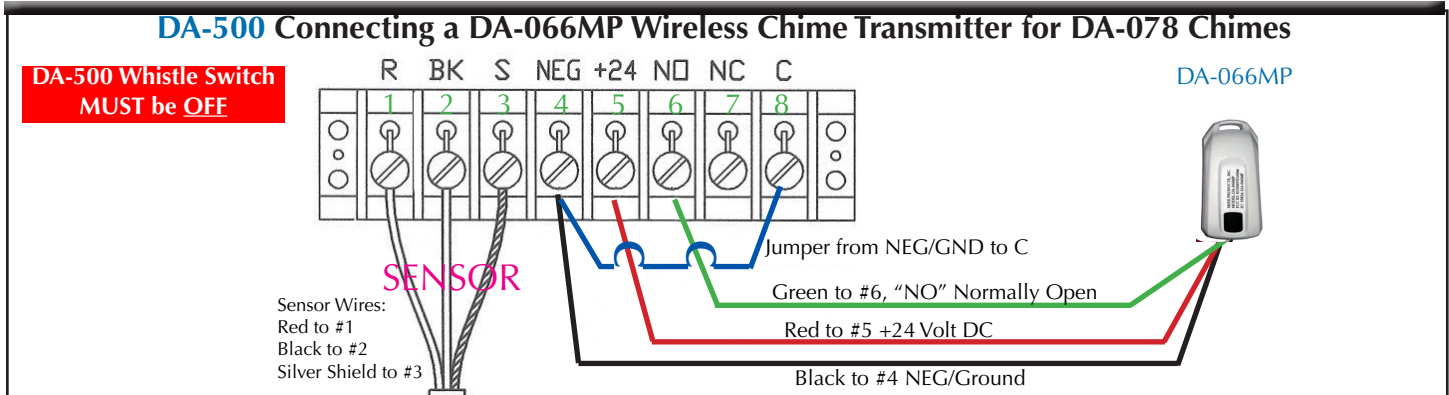


Wireless Chime Options

DA-066MP and DA-078 for chimes up to 100 feet from the control panel

Often, customers decide they would like pleasant sounding chime(s) in multiple rooms other than where the Drive-Alert control panel is located. This can easily be accomplished by adding a **DA-066MP Wireless Chime Transmitter** to the contacts on the Drive-Alert, which will then activate **DA-078 Wireless Chimes** up to 100 feet away! You can use as many DA-078 Chimes as you like with the DA-066MP. The DA-066MP and DA-078 accessories can be added to the DA-500, DA-600 or DA-700 Drive-Alerts.

To install the DA-066MP onto a **DA-500, DA-600 or DA-700** Drive-Alert Control Panel, the DA-066MP must be mounted on the outside of the Drive-Alert Control Panel. Note: the DA-066MP and/or DA-078s may have to be moved to find the best location to communicate with one another. The internal codes are pre-set: Do not change these codes. These illustrations show on how to connect the DA-066MP.



To install the DA-078 Wireless Plug-In Chime, turn the On/Off/Volume Knob to the desired position, and then simply plug it into a standard wall outlet within 100 feet of the DA-066MP transmitter. Depending on the installation site, you may be able to get even greater distances. Make sure your control panel is plugged in, and the DA-066MP is attached correctly. Then, plug in the DA-078 and push the button on the DA-066MP to test communication and the chime.

The DA-078 Remote Chime



MP0108026

To select different chimes remove the four (4) bottom cover screws to expose the green electrical board. Move the slide select switch to any of the three (3) positions to the desired tone. Position 1 is a Ding-Dong chime, position 2 is a Ding-Ding-Ding chime, and position 3 is a Dong-Ding-Dong chime.

