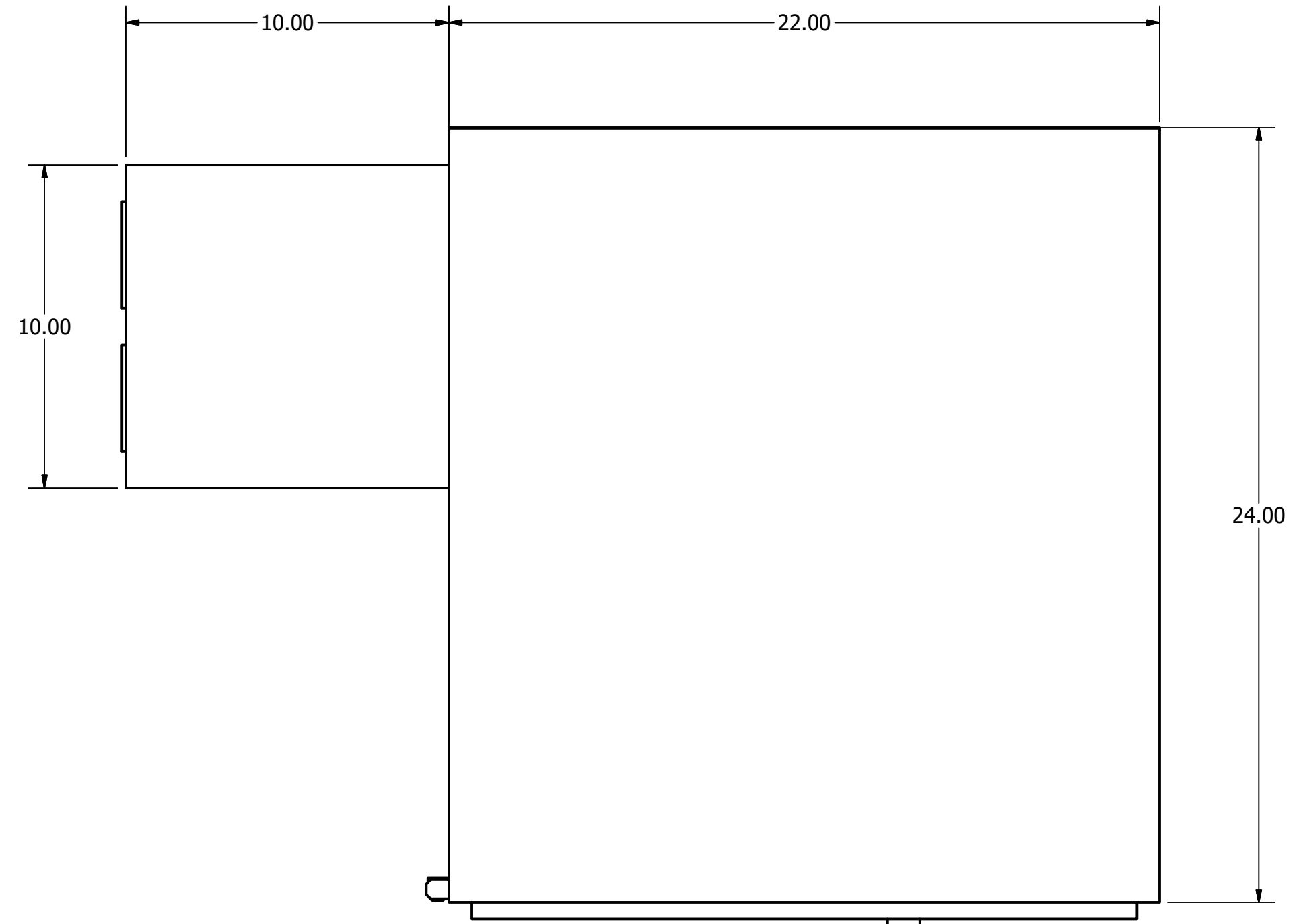


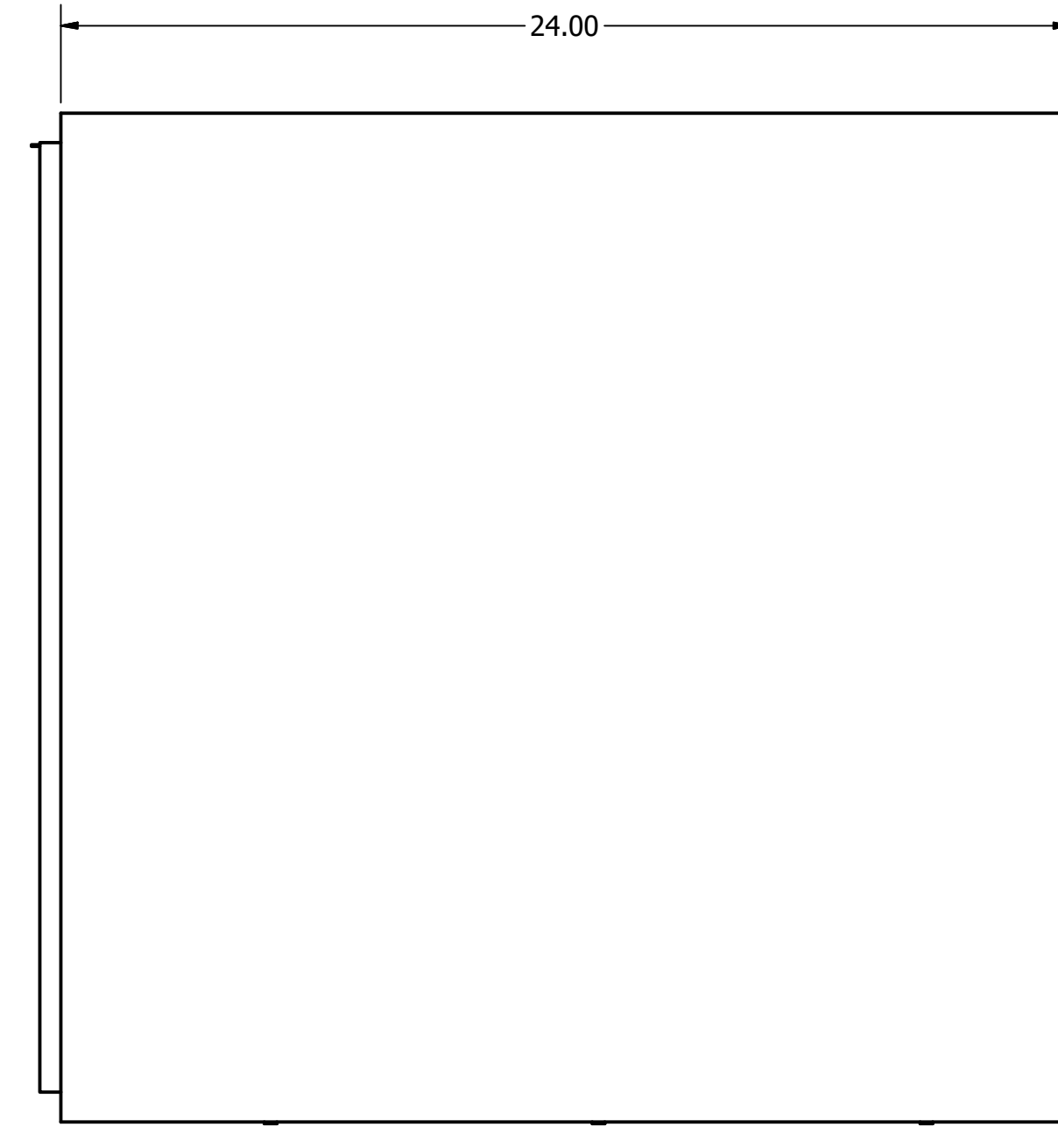
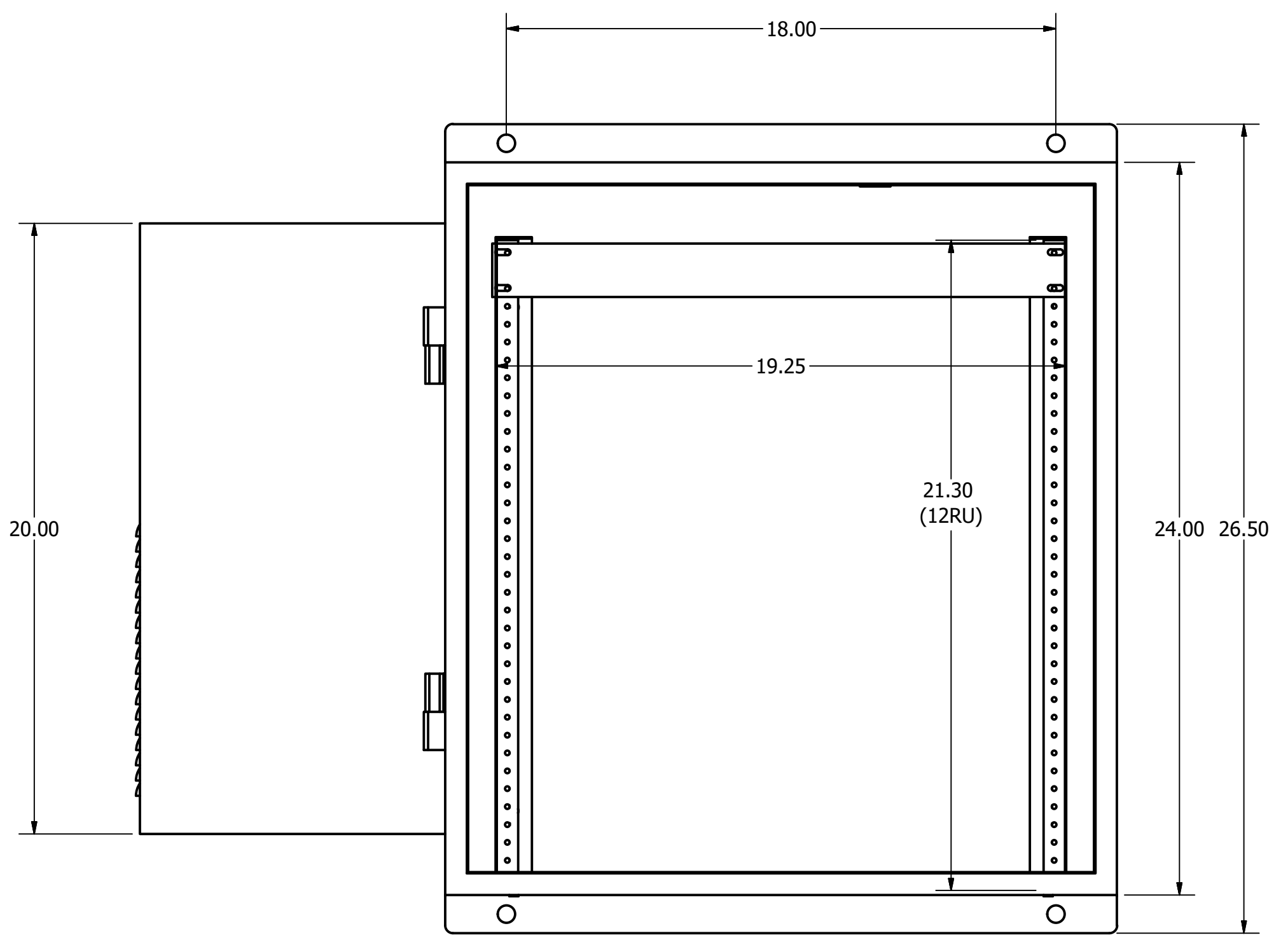
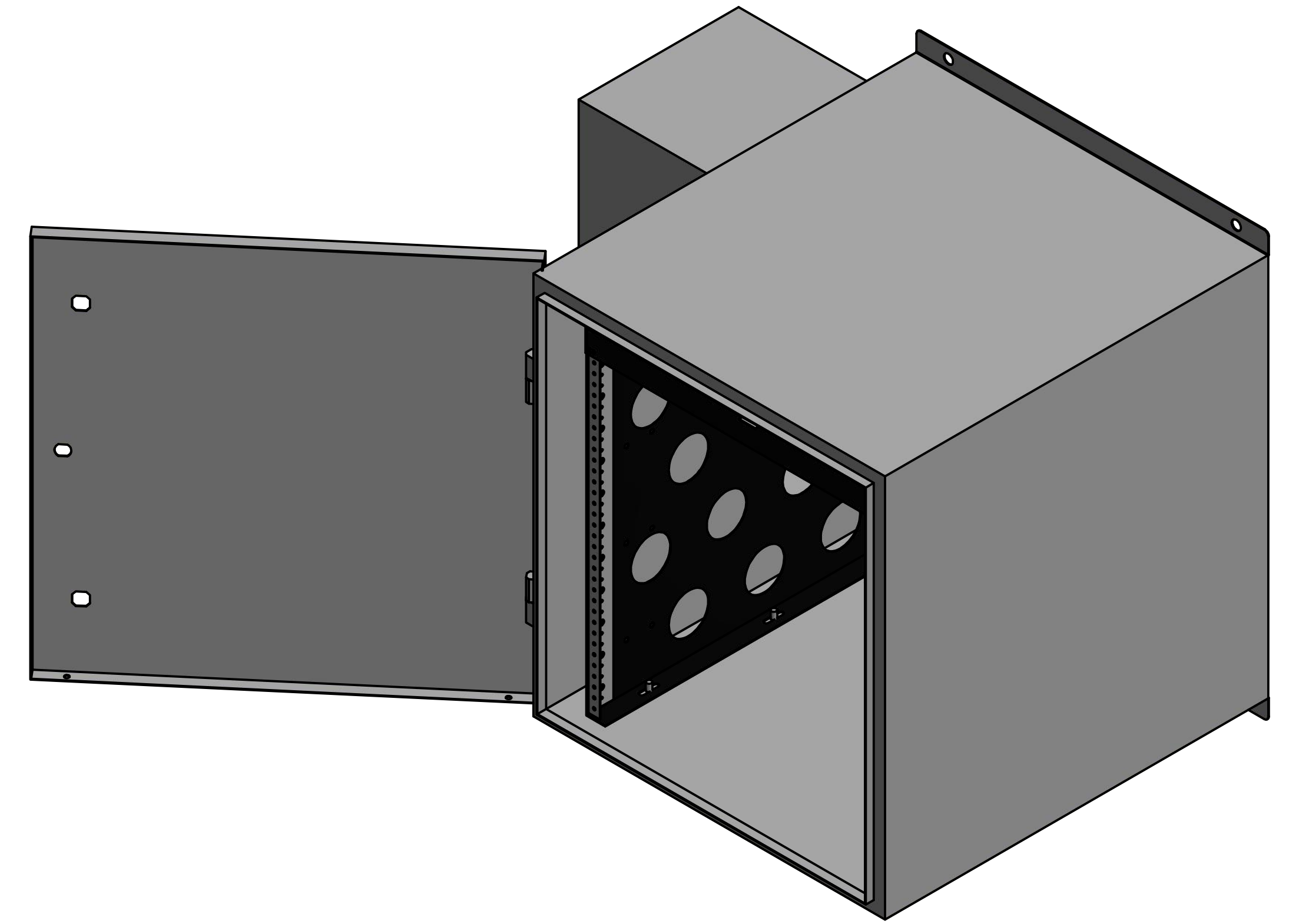
8 7 6 5 4 3 2 1



ALL UNITS IN INCHES UNLESS OTHERWISE STATED.

HOUSING MADE USING 14 & 16 GAUGE STEEL.

DETAILED PARTS SHEETS AVAILABLE AT REQUEST



NOTE: VIEWS SHOWN WITHOUT DOOR



800-473-0213 | info@mierproducts.com | www.mierproducts.com



DRAWN Andrew Thompson	5/21/2019	Mier Products, Inc.	
CHECKED		TITLE	
QA		REV	
MFG		SIZE D	DWG NO BW-RACKAHT ASSEMBLED SHEET
APPROVED		SCALE 1 / 4	SHEET 1 OF 1

8 7 6 5 4 3 2 1