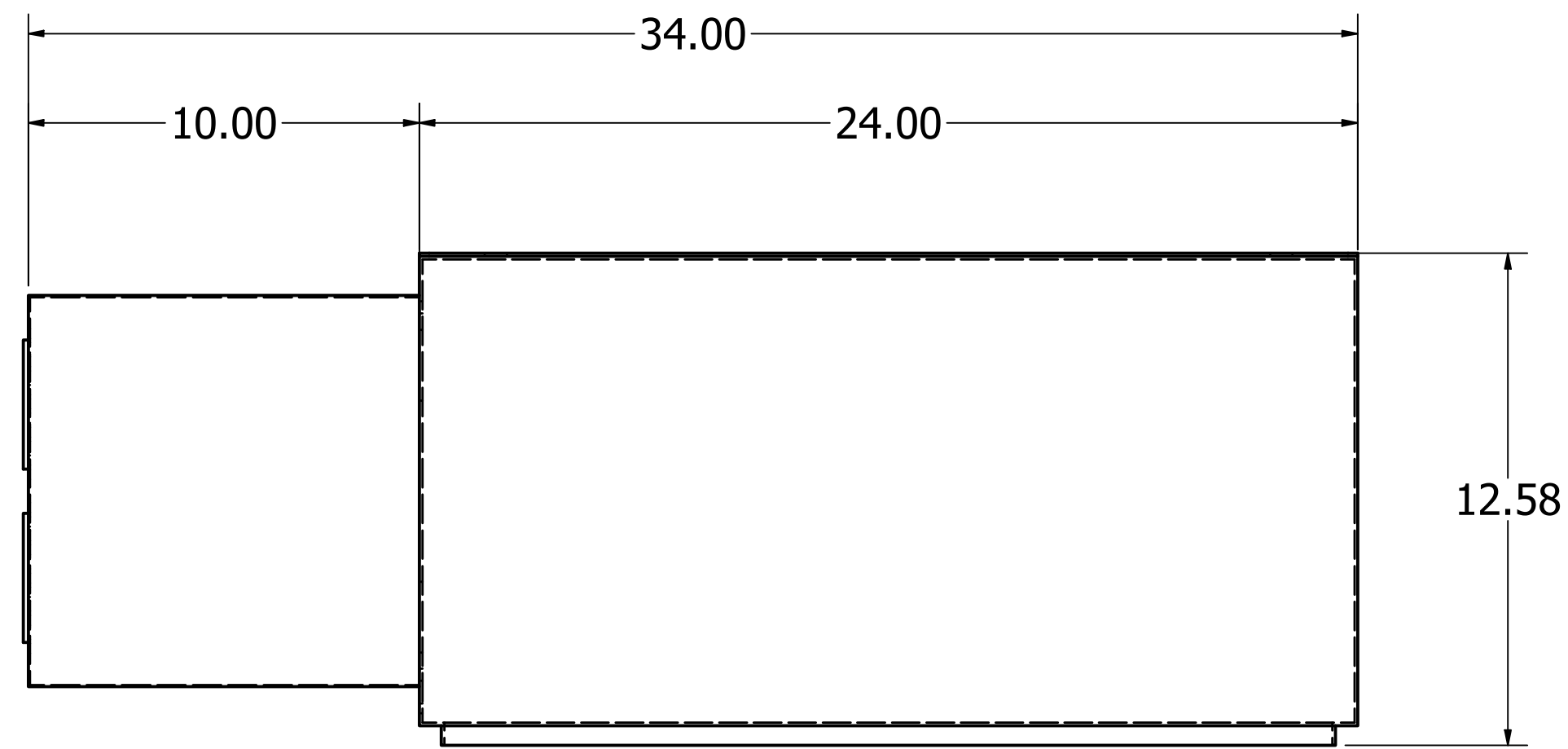
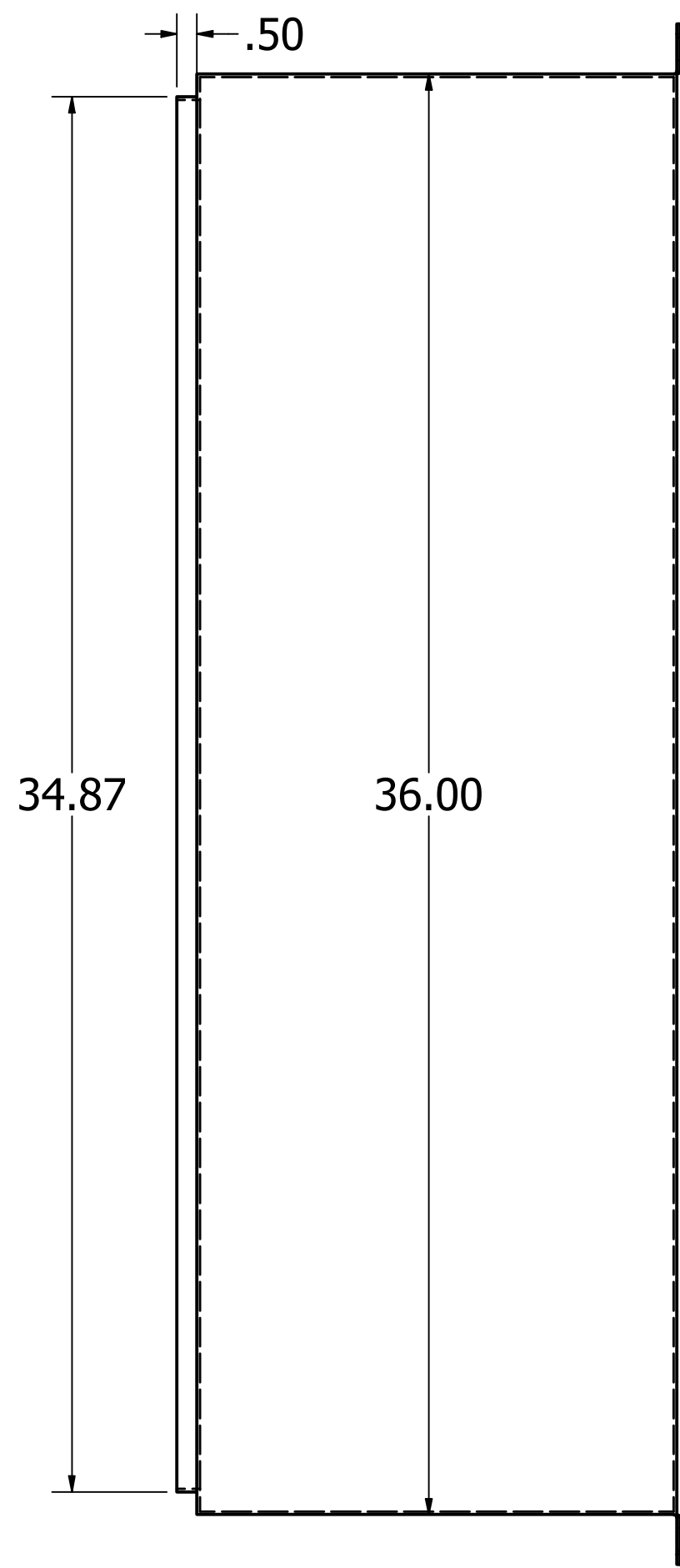
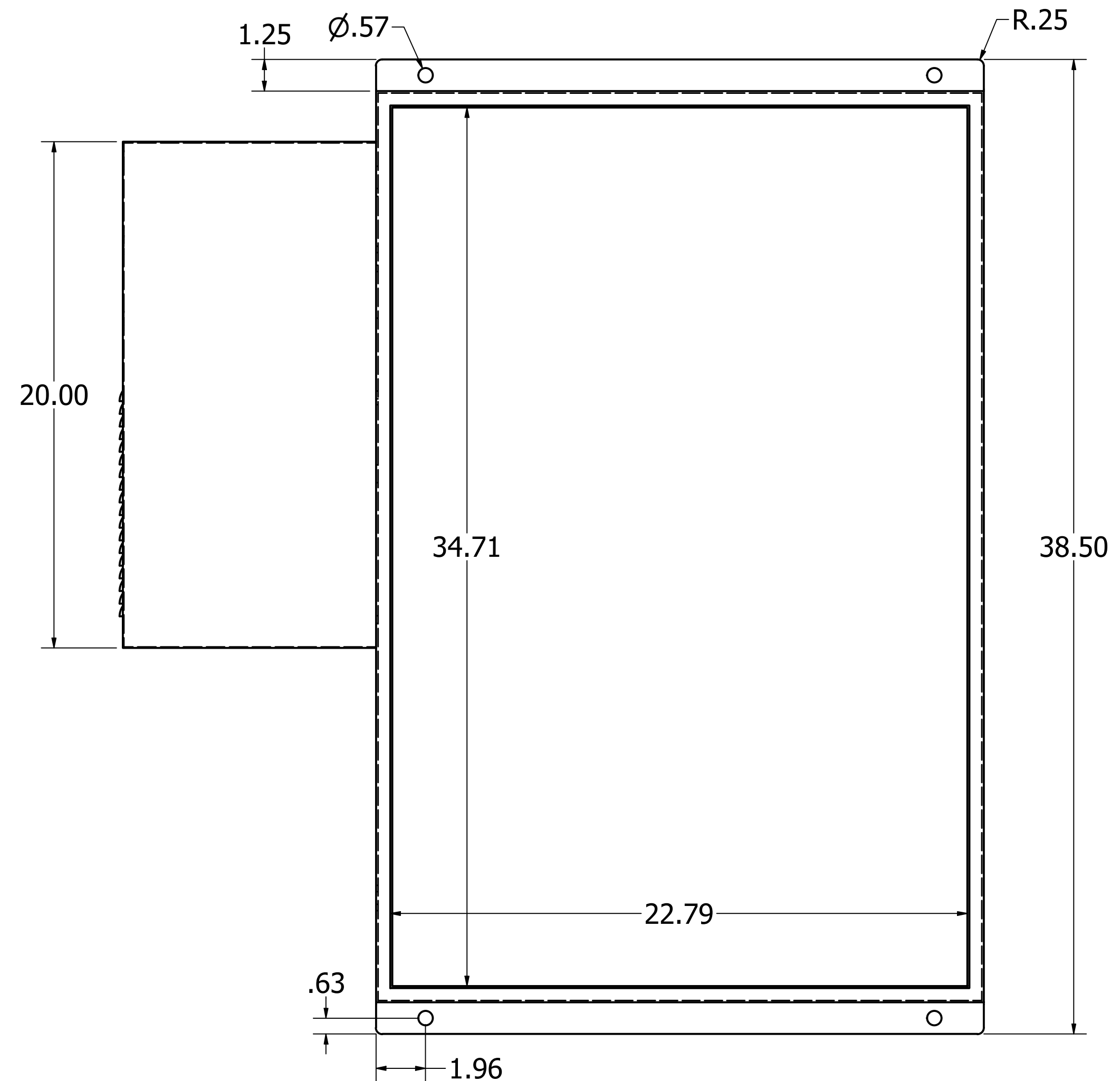
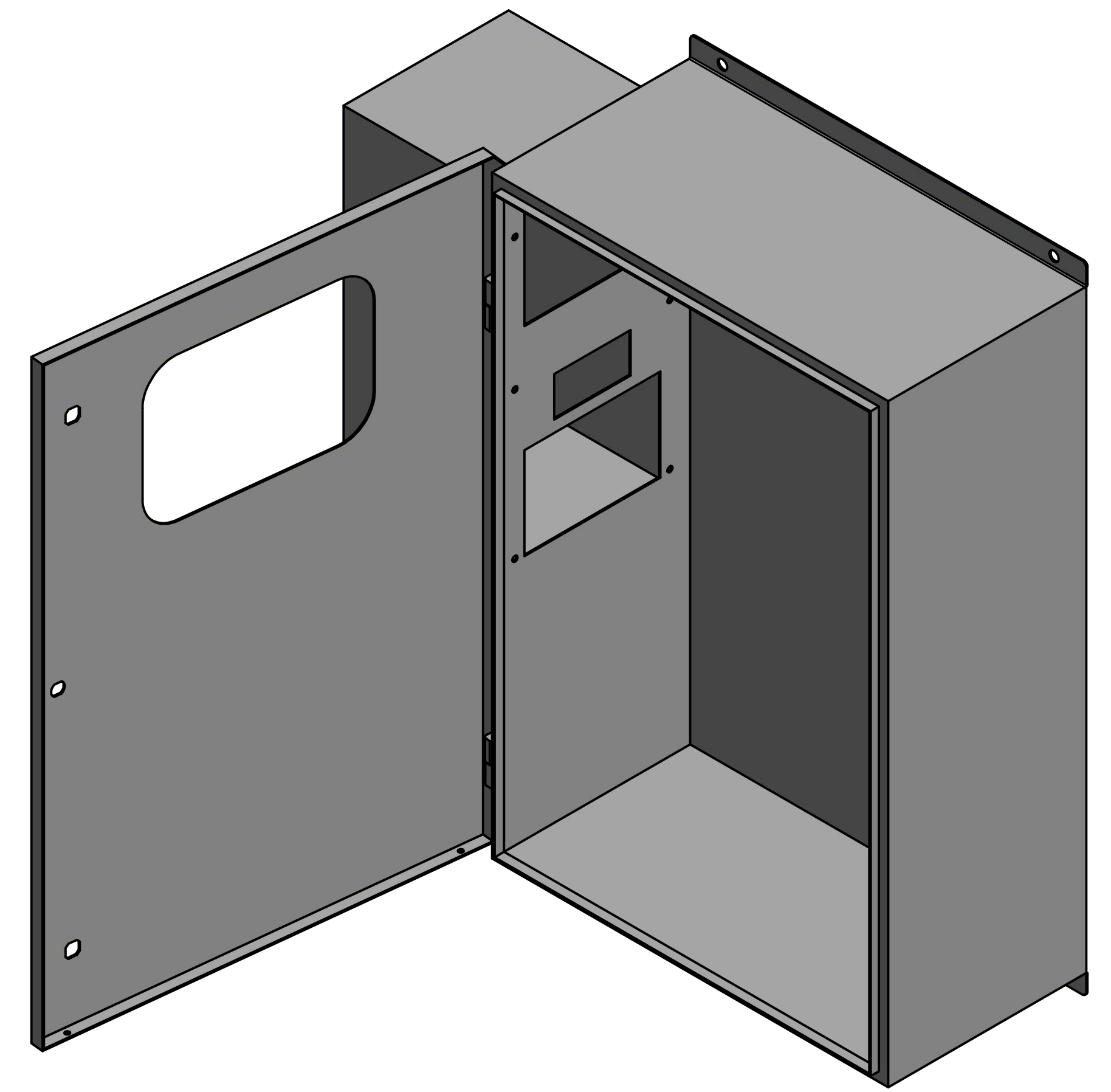


8 7 6 5 4 3 2 1



ALL UNITS IN INCHES UNLESS OTHERWISE STATED.
 HOUSING MADE USING 16 GAUGE STEEL.
 DETAILED DRAWINGS AVAILABLE AT REQUEST.



NOTE: VIEWS SHOWN WITHOUT DOOR.
 DOOR SHOWN IN PROJECTED VIEW SHOWS BW-136ACHTW MODEL.



DRAWN Andrew Thompson	6/5/2019	Mier Products, Inc.	
CHECKED Brock Borden	2/13/2020	TITLE	
QA		BW-136ACHT (MPO 7188)	
APPROVED		SIZE D	DWG NO BW-136ACHT (MPO 7188)
		SCALE 1 / 4	REV
		SHEET 1 OF 1	

8 7 6 5 4 3 2 1